

For your

ceramica

## Whirlpool and Spa Bath

**Inspect bath carefully and report any damage or faults before installation. No claims can be entered in to after installation.**

**Protect the bath throughout the installation process.**

**Installation must be carried out by suitably qualified tradesman in accordance with the instructions.**

Bath Number-\_\_\_\_\_

# User Instructions

Thank you for purchasing a quality whirlpool system. In order to get the full benefit from this product and have many years of trouble free service, please follow the simple instructions below.

## Whirlpool Bathing Safety

If you suffer from a heart condition or are pregnant consult your doctor before taking a whirlpool bath.

DO NOT allow children to bathe in the whirlpool unattended.

DO NOT allow hair to become entangled with the suction fitting (the largest fitting in the bath). If necessary bathe using a shower cap.

DO NOT take a whirlpool after a large meal or after drinking alcohol.

DO NOT over do it! Start by having the whirlpool on for a short period and build up gradually each bath time.

DO NOT bathe in hot water above 40 Degrees Centigrade (104 F)

DO NOT use large quantities of bubble bath, it will cause excessive foaming.

## Care and Maintenance

DO NOT use bath oils, these will coat the pipes and cause a build up of grease.

DO NOT run the whirlpool system without sufficient water in the bath, this will cause damage to the pump.

DO NOT clean the whirlpool fittings with abrasive or multi-surface bathroom cleaners. Use only mild soapy water and a soft cloth or a suitable micro-fibre cloth such as an e-cloth.

MAINTAIN your whirlpool system using suitable whirlpool cleaning products.

## Testing R.C.D.

An R.C.D. MUST be fitted to the electrical supply: it is an essential safety feature. If one has not been fitted DO NOT use the bath and consult a qualified electrician. (See installation instructions for details.)

Test at least once a month as follows.

1. Turn the R.C.D. to the ON position.
2. Press the 'TEST' button. The R.C.D. should trip to the 'OFF' position. (If the R.C.D. fails to trip off consult a qualified electrician.)
3. Switch on as normal when the bath is to be used.

# User Instructions

## Whirlpool System

The Ceramica Whirlpool System has a single on/off button and an air control.

### On/Off Button

To start the whirlpool system press and release the round button. To stop the whirlpool system press and release the round button again.

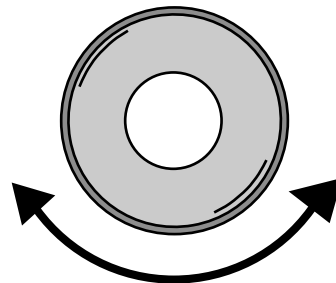
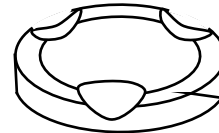
### Air Control

To adjust the turbulence of the whirlpool system turn the air control knob. A quarter of a turn will cover the full range of adjustment.

DO NOT run the whirlpool system without sufficient water in the bath (fill to 75mm above the jets). This will damage the pump and invalidate your guarantee. When the bath is not in use turn off at the R.C.D. or isolator switch to prevent accidental switching on of the pump.

### Adjustable Back and Foot Jets

The back and foot jets can be adjusted by rotating the bezel until the desired pressure is reached.



## Optional Extras

### Underwater Lighting

The underwater light is operated by an on/off switch fitted on the bath. Press once to turn the light on and again to turn the light off. To change colour, turn the light on and off (double press). The light goes through each colour in sequence. The last option cycles through all the colours automatically.

To enjoy this relaxing effect, turn down the bathroom light and let the warm glow and whirlpool wash away the stress of the day.

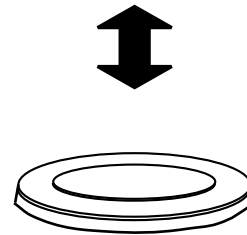
# Spa System

The Ceramica spa system has a single on/off and air control.

## **On/Off Button**

To start the Spa system press and release the round button.

The spa will start at its highest speed, each subsequent press will reduce the speed. There are three speeds in total. The last press will stop the spa.



## Self Cleaning

The self cleaning function can be operated both automatically and manually.

### **Automatic Self Cleaning:**

After the spa has been stopped a timer will start. After approximately 15 minutes the Spa will start and blow the system out. The self clean will run for two minutes and then stop. The Spa system must have been used for the automatic self clean to operate. The sequence can be stopped at any time by pressing the on/off button

### **Manual Self Cleaning:**

To operate the self clean system manually with the bath empty press the on/off and cycle through the speed until the spa stops. In 15 minutes the Spa will start and blow the system out. The cleaning cycle can be stopped by pressing the on/off button during the cycle.

## Optional Extras

### **Under Water Lighting**

The underwater light is operated by an on/off switch fitted on the bath. Press once to turn the light on and again to turn the light off. To change Colour, turn the light on and off (double press). The light goes through each colour in sequence. The last option cycles through all the colours automatically.

To enjoy this relaxing effect, turn down the bathroom light and let the warm glow and whirlpool wash away the stress of the day.

# Combination System

The Combination System has the Whirlpool and the Spa system on the same bath.

Follow the instructions for Whirlpool System and Spa System.

# Electricians Instructions

## Installation Guide

### Supply Requirements

Mains Supply 230 V, 50 Hz,  
 13 amp fused through an R.C.D. 230v  
 30Mamp, 30Msec.  
 Cable 2.5 Twin & Earth.  
 Mains connections made under the bath  
 should be made using an IP55 joint box.

### Pump & Blower Specification

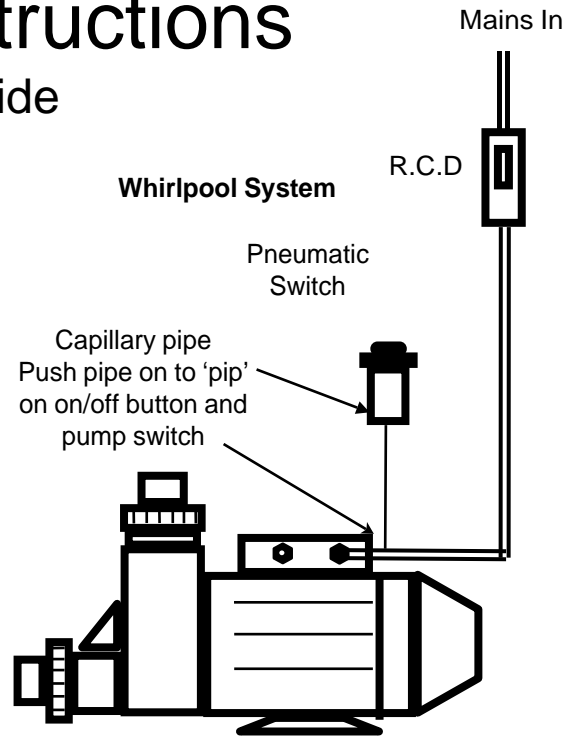
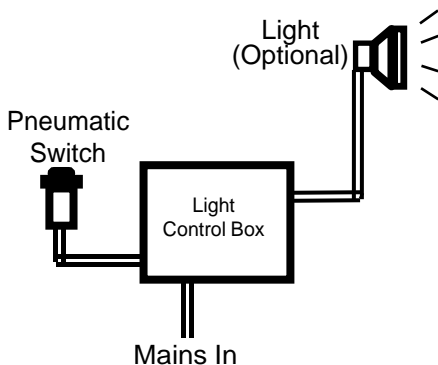
Standard Pump  
 230v 50 Hz 580Watt 3.2amp running.  
 Blower  
 230v 50Hz 600Watt 3.5amp running.

### R.C.D.

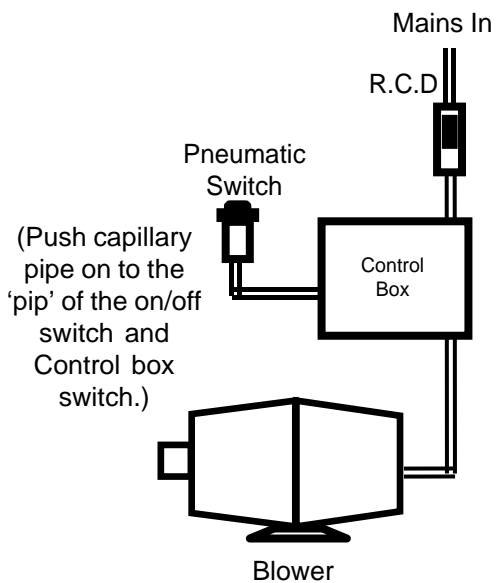
An RCD 30mA, 30 mS, must be fitted to this bath.

1. The R.C.D. must NOT be fitted under the bath.
2. Fit the R.C.D. in an accessible position where it can be tested easily (at least once a month), and when the bath is not in use it can be used to isolate the supply.
3. It must not be possible to switch on the R.C.D. whilst stood in the bath.
4. The installation must comply with all electrical regulations and be installed by a qualified electrician.

### Underwater Light Control Box. (Manual Systems)



### Spa System



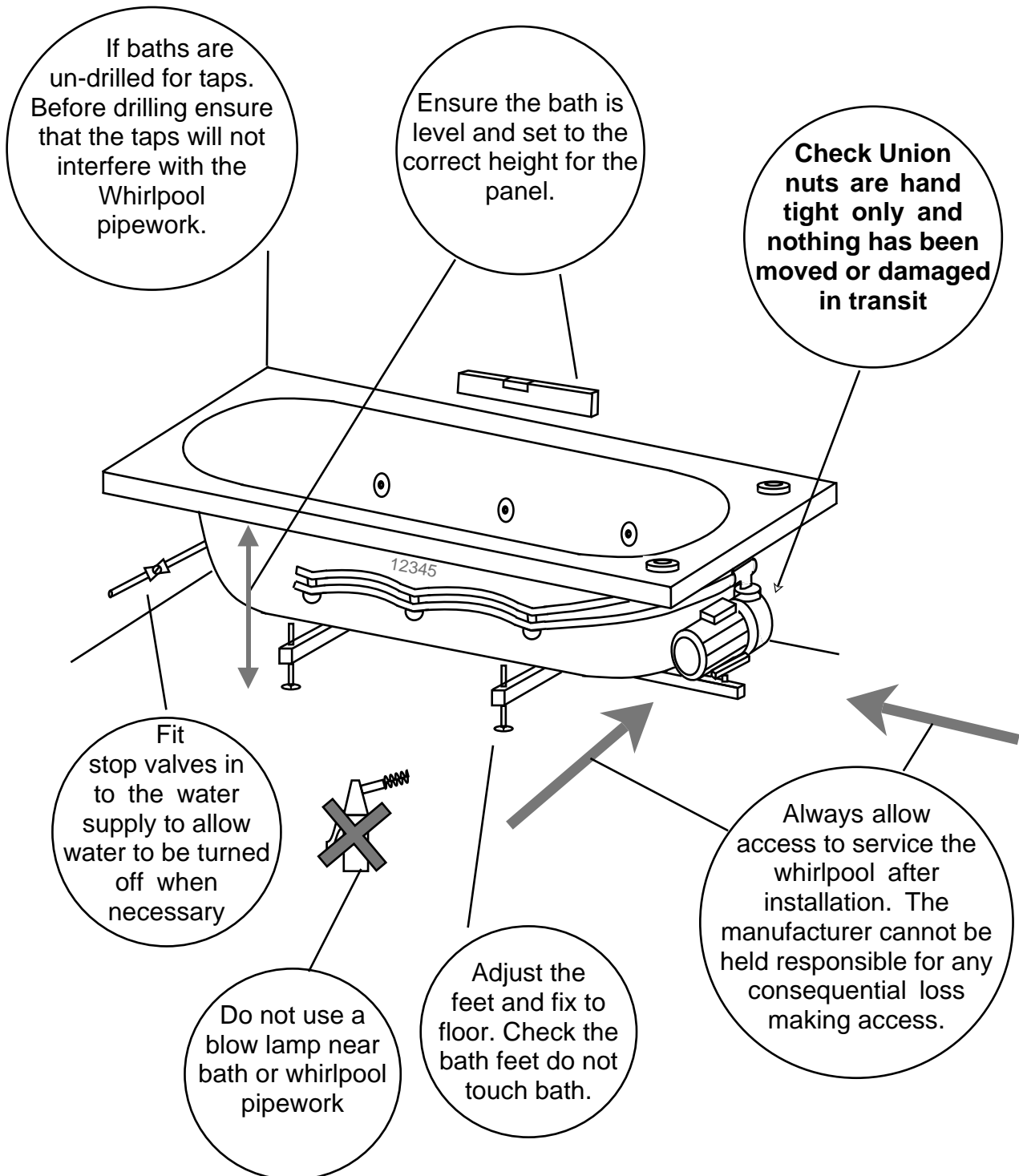
**Note.** When an underwater light or combination system is supplied, two independent systems are fitted to one bath. Each will require a power supply.

Trouble Shooting - see last page

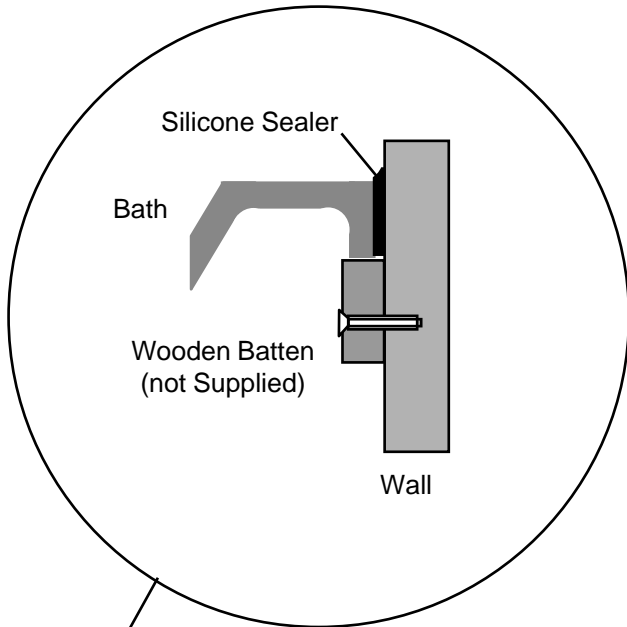
# Plumber's Instructions

## Installation Guide

Inspect bath and report any damage **before** installation. Protect the bath throughout the installation process.

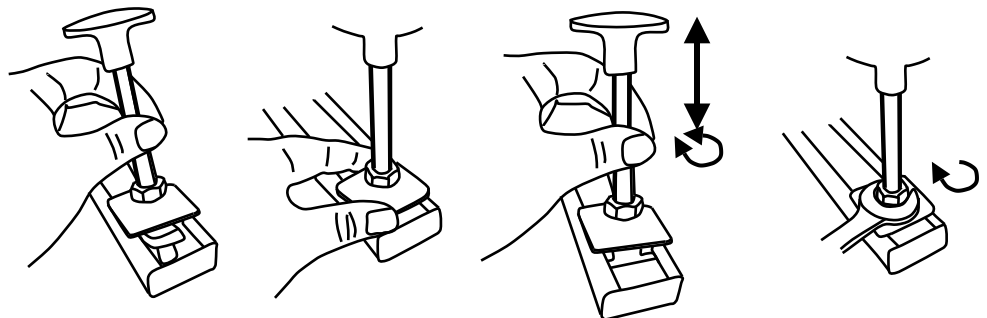


**DO NOT** lift or move the bath with any part of the pipework, pump or fittings.



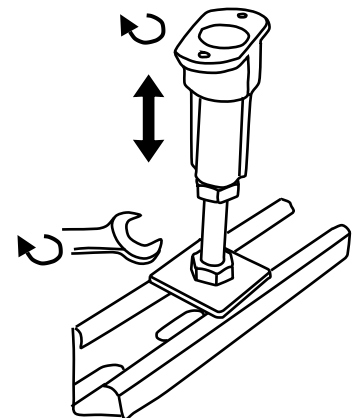
Ensure the floor is flat and level.  
 Position and level the bath, setting the height to suit the panel, if necessary try panel in place.  
 Mark the feet and screw holes on the floor.  
 Scribe a line on the wall to the underside of the rim.  
 Remove the bath and fit a soft wood batten to this line to act as additional support for the rim.  
 Apply a liberal amount of silicone sealer to the outer rim of the bath which is adjacent to the wall.  
 Reposition the bath ensuring that it is pushed firmly back to the wall and that the feet are in their original position. Secure feet to floor and allow silicone to cure.

Fit the bath in such a manner that will allow its removal without the necessity to remove tiles.

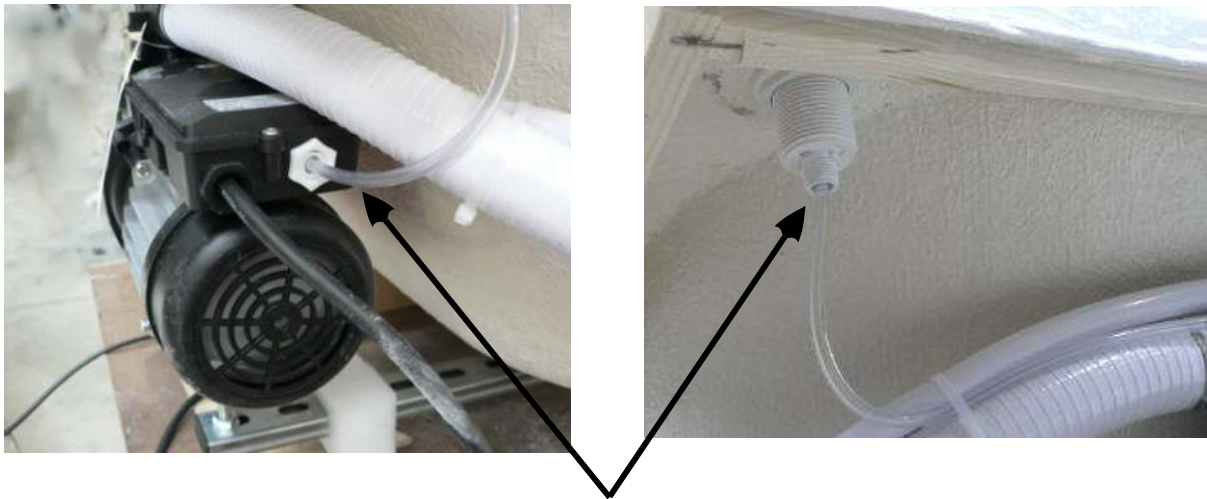


**FOOT ASSY**


Position extra foot next to base board and lock in position



Trouble Shooting		
Fault	Check	Action
Whirlpool will not run	Check Capillary pipe is attached to on/off button and pump	Press button and listen for a 'click'
Whirlpool will not run	Check supply Connect to a 13a plug and test using an extension.	If bath works there is fault in the supply.



Check Capillary pipe is attached to on/off button and pump

	<p>Manufactured by Plumbworld Units 2 - 4 Millennium Court Enterprise Way, Evesham WR11 1GS</p>
---	---

[www.plumbworld.co.uk](http://www.plumbworld.co.uk)



## **Check out our full range of Bathroom Suites**

Bathroom Suites By Range

Cloakroom Suites

Toilets

Bathroom Sinks / Wash Basins

Bidets

Baths

## **Wide variety of toilets**

Close Coupled Toilets

Wall Hung Toilets

Back To Wall Toilets

Furniture unit toilets

## **Huge Selection of Baths**

Acrylic Baths

Steel Baths

Shower baths

Freestanding baths

Small baths

Corner baths

Whirlpool baths

## **Don't forget the important bathroom suite extras**

Bath panels

Toilet seats

**plumbworld**  
**Big brands, small prices.**