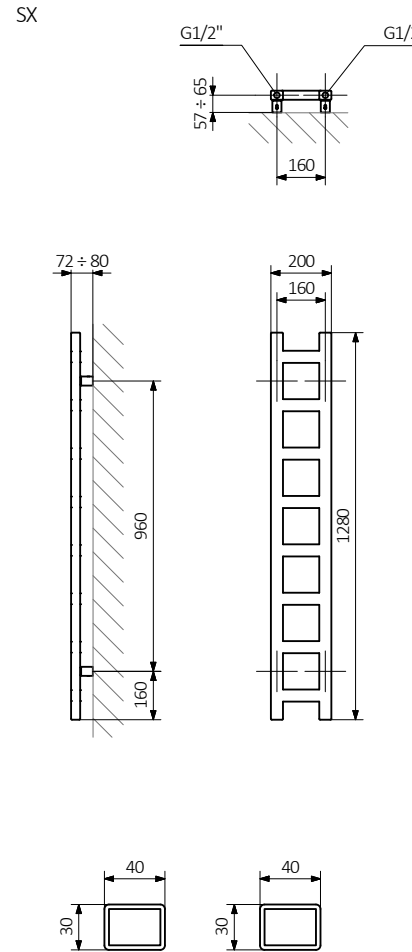


# Installation guide Easy 1280x200mm - SX



Please read the instructions in full before starting to fit your radiator.

- Please check that all parts listed are present before starting installation.
- Valves are not provided, please make sure that you have them before you start. This product requires standard 1/2" radiator valves.
- Before drilling holes for the brackets please check that there are no hidden wires or pipes.
- The plugs supplied are for hard walls masonry only. Please make sure you are using the correct plug for your wall.
- Terma radiators are designed for closed heating systems.
- The radiator should be fitted at least 100 mm from the floor to maximise heat efficiency.
- Noting the distances between bracket centres, mark out the position of the brackets on the wall.
- Drill holes to approximately 80 mm depth using a 10 mm drill bit and insert rawl plugs (1). Using connecting screw with a washer (2) attach mounting bracket-1 (3).
- Using bracket to collector fixing screw (5) attach mounting bracket-2 (6) to radiator.
- Guide all mounting brackets-2 (6) into mounting brackets-1 (3) and fix with connecting screws (4)
- Connect the water flow using appropriate 1/2" BSP valves. Follow valves manufacture guidelines for correct installation.
- Fill the radiator and purge any trapped air via the bleed valve at the top of the radiator.
- Wipe your radiator down using a clean damp cloth. Never use scourers or abrasives.



## Fixing kit content

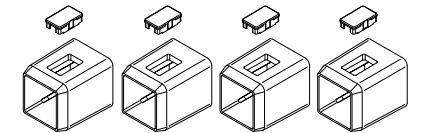
rawl plug (1)



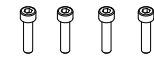
wall fixing (2)  
screw +  
washer



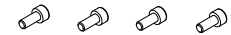
mounting (3)  
bracket-1



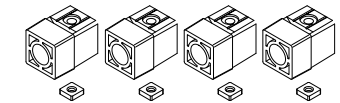
bracket (4)  
connecting  
screw



bracket to (5)  
collector  
fixing screw



mounting (6)  
bracket-2



air vent \*



allen key



For all installation and warranty enquiries please contact Crimson Bear Customer Support on 01535 636256

\*Refers to water and dual fuel version

# Mounting bracket TERMA MK, P/S, 42÷50 mm, 4x

