

# Technical Specification Sheet

**RL 304 CW II**

**CT11T1010**

1.0 Bowl ceramic sink with drainer



# REGINOX

## Specification

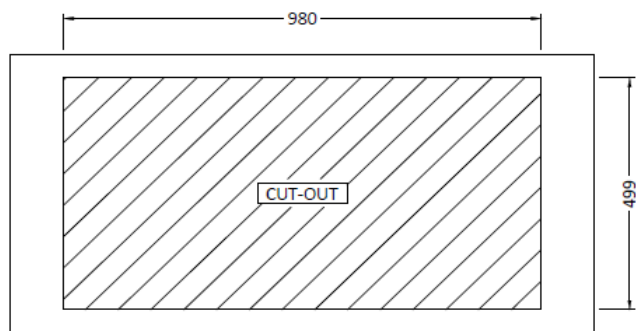
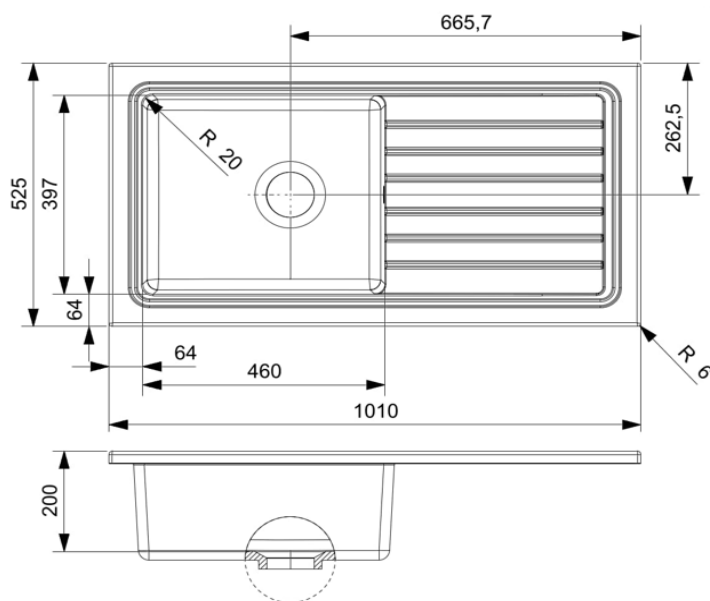
Material	Ceramic
Finish	Glossy
Colours	White
No. of bowls	1
Fitting Method	Inset Only
Handing Options	Reversible
Cabinet Size (mm)	600
Overall Length (mm)	1010
Overall Width (mm)	525
Main Bowl Length (mm)	460
Main Bowl Width (mm)	396
Main Bowl Depth (mm)	200
Second Bowl Length (mm)	N/A
Second Bowl Width (mm)	N/A
Second Bowl Depth (mm)	N/A
Tap Hole Size (mm)	35 (Pre-drilled under sink)
Tap Hole Instructions	Using a 35mm diamond drill cutter. Use masking tape to protect the sink surface.
Waste Kit Included (Yes/No)	Yes
Clips & Seals Included (Yes/No)	N/A
Waste Size (mm)	90
Waste Kit Code	RL II WASTE INC O/F
Clips & Seals Code	N/A
Overflow Location	In main bowl
Cut Out Length (mm)	980
Cut Out Width (mm)	499
Product Weight (kg)	37
Packed Weight (kg)	39.6
Packed Dimensions (mm)	1450x550x265
EAN number	658556023211

## Warranty

10 years on manufacturing | 1 years serviceable parts warranty (waste kit, clips & seals)

## Care & Maintenance

Use warm soapy water to clean/maintain sink | Never use any abrasive chemicals/cleaning products on the surface of the sink as this will invalidate the warranty if used.



## Additional information

Tolerance level is +/- 5mm due to the Fireclay process.