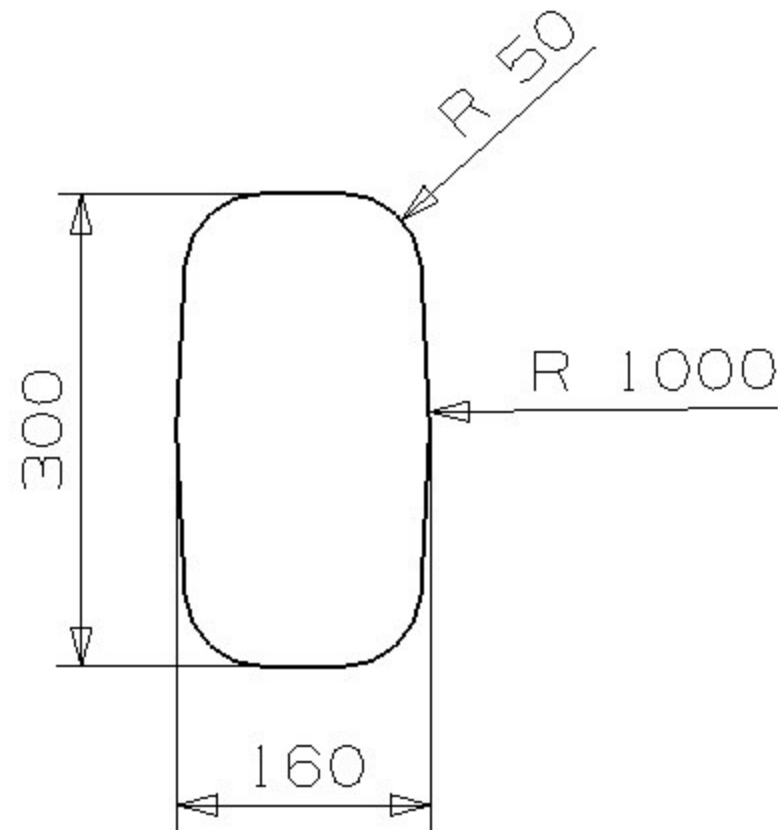


# Comfort Undermount Cut Out Guide



L18 3016  
Uitsparing blad  
onderbouw spoelbak  
Ausparung Platte  
Unterbau Spule  
Cut out worktop  
underbuild sink

datum: 07-02-2012

Tolerantie buitenmaat per zijde	±0.5mm
Toleranz Ausenmasse pro Seite	±0.5mm
Per side the outside tolerance measure	±0.5mm

## **Check out our full range of Kitchen Products**

### **Kitchen Sinks**

Stainless Steel Kitchen Sinks

Granite Composite Kitchen Sinks

Glass Kitchen Sinks

Ceramic Kitchen Sinks

Franke Kitchen Sinks

### **Kitchen Taps**

Contemporary Kitchen Taps

Traditional Kitchen Taps

Franke Kitchen Taps

Pull out Rinser Kitchen Taps

Instant Boiling Water Taps

### **Insinkerator Waste Disposal Units**

**plumbworld**  
**Big brands, small prices.**