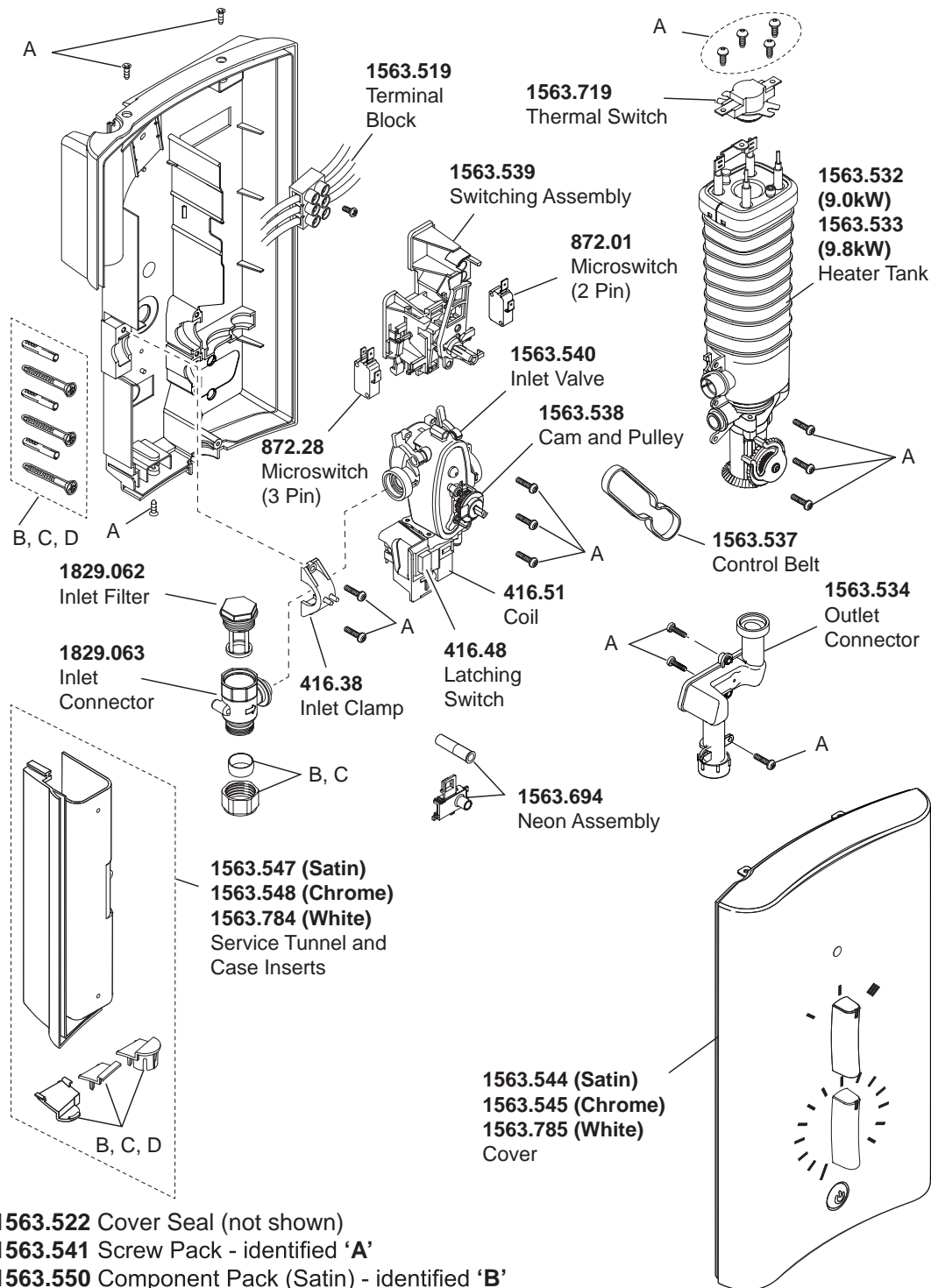


Mira Escape

(2005 - Current J95Hb, H, Hc, G 9.0kW & 9.8kW)

1.1563.730 / 1.1563.729 / 1.1563.011 / 1.1563.012



- 1563.522** Cover Seal (not shown)
- 1563.541** Screw Pack - identified 'A'
- 1563.550** Component Pack (Satin) - identified 'B'
- 1563.551** Component Pack (Chrome) - identified 'C'
- 1563.787** Component Pack (White) - identified 'D'

Mira electric showers are provided with a two year warranty and spare parts are available free of charge during that period with a valid proof of purchase. For showers outside of the warranty period, spare parts are available to purchase direct, alternatively we have Mira technicians who can repair your shower for you. For further information visit www.mirashowers.co.uk or to check availability of spare parts for this shower or enquire about our repair service please contact our customer service on **0844 571 5000**.



Check out our full range of Showers

Electric Showers

Digital Showers

Mixer Showers

Power Showers

Smart Showers

Shower Towers

From Top Shower Brands

Mira Showers

Aqualisa Showers

Triton Showers

Gainsborough Showers

Shower Pumps can upgrade your showering experience even more

Stuart Turner Shower Pumps

Salamander Shower Pumps

Grundfos Shower Pumps

plumbworld
Big brands, small prices.