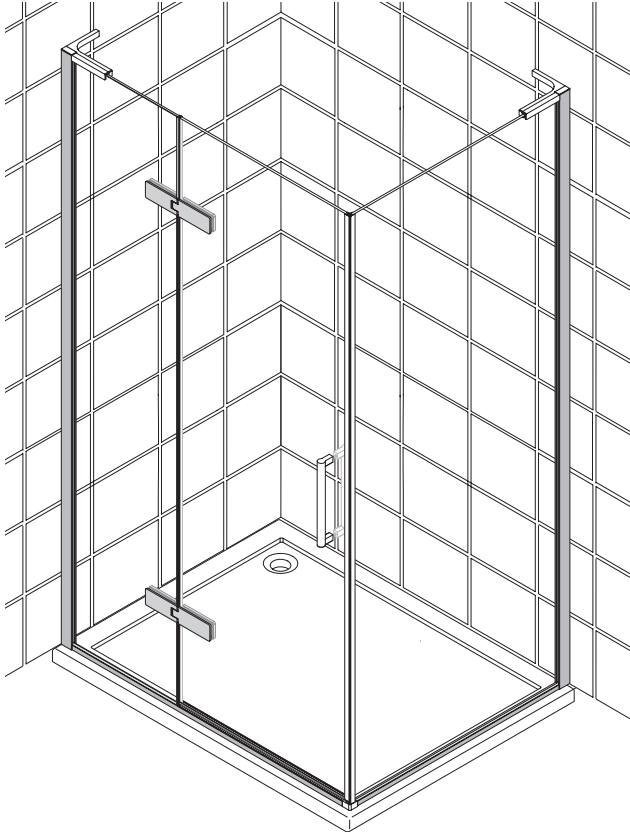


# Frameless Hinged Door Enclosure



These instructions must be left with the user

---

# Installation Guide

---



# Introduction

---

Thank you for purchasing a quality product. To enjoy the full potential of your new product, please take time to read this guide thoroughly, having done so, keep it handy for future reference.

The following pages aim to provide comprehensive installation instructions, plus advice on how to care and maintain your product.

We recommend that the unit is installed by a qualified plumber or engineer.

## General Information

---

### General

1. Read all of these instructions and retain this guide for later use.
2. Pass on this guide in the event of change of ownership of the installation site.
3. Follow all warnings, cautions and instructions contained in this guide.
4. Remove all protective tape from the enclosure before installation.
5. Excessive flow rates may lead to overflowing and leaking.
6. Water Spray may extend beyond the entrance of walk-in enclosures and we recommend tiling of the adjacent area.
7. We recommend a drainage test is carried out to ensure the waste is adequate for the flow delivered.
8. Doors that open outwards may drip water onto floor, ensure the floor covering will not be affected by water.
9. Walk ins and divider panels are designed to minimise water escaping outside the enclosure but by their very nature are not fully water tight.

### Safety Information

1. Care should be taken when drilling into walls and floors to avoid any hidden pipes or wires.
2. We strongly recommend that all glass panels are moved by a minimum of two people and that any protective packaging along the glass edges is kept in place for as long as possible to prevent damage before installation.
3. During installation we recommend additional help in lifting heavy doors and side panels.
4. Wear protective footwear when lifting panels.
5. Wear safety glasses when drilling.

## Before Fitting the Enclosure

1. Ensure the tray is level and walls are vertical and square.
2. Shower fittings should be positioned such that water discharges down the centre line of a bath or across the opening of a shower cubicle door.
3. Ensure water is not directed at the shower door or side panels. This could result in water spraying outside of the enclosure.
4. Ensure the door opening is positioned correctly and is adequate for all users.
5. Ensure there is a complete silicone seal between the tray and finished wall.
6. Ensure the door is undamaged and no parts are missing.
7. Ensure the size of door/panel is suitable for the installation. Tempered safety glass cannot be cut.
8. Ensure nothing can impact the door or glass panels during operation.

## When Fitting the Enclosure

1. The wall channels must be installed onto a tiled or waterproof finished flat and even wall surface. Failure to do so will result in an unsatisfactory seal, which may cause property damage.
2. We recommend our enclosures are fitted onto shower trays.

**Warning!** The use of grout/tile cleaners, scale removers, abrasive scourers, drain unblockers and other powerful detergents may lead to damage of metallic, plated and plastic surfaces, including the tray and shower waste.

## Use of the Enclosure

1. High water pressure and flow may lead to excessive splashing causing water to escape outside of the enclosure.
2. In certain circumstances such as cleaning, water sprayed directly at the seals may escape outside of the enclosure.

# Guarantee

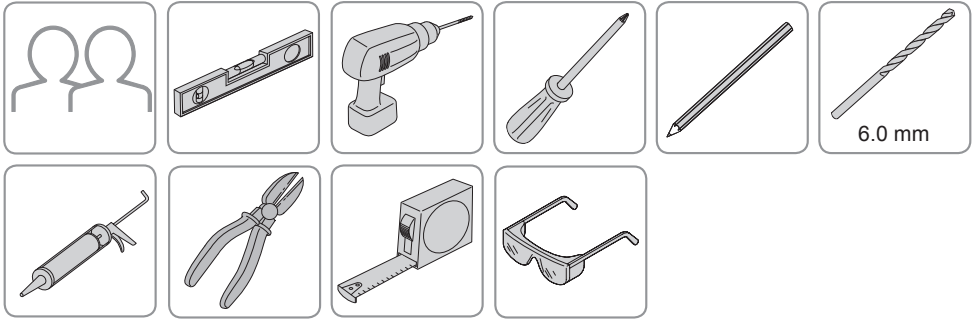
---

Your enclosure has the benefit of our guarantee which starts from date of purchase. For terms and conditions refer to the guarantee booklet packed with the product.

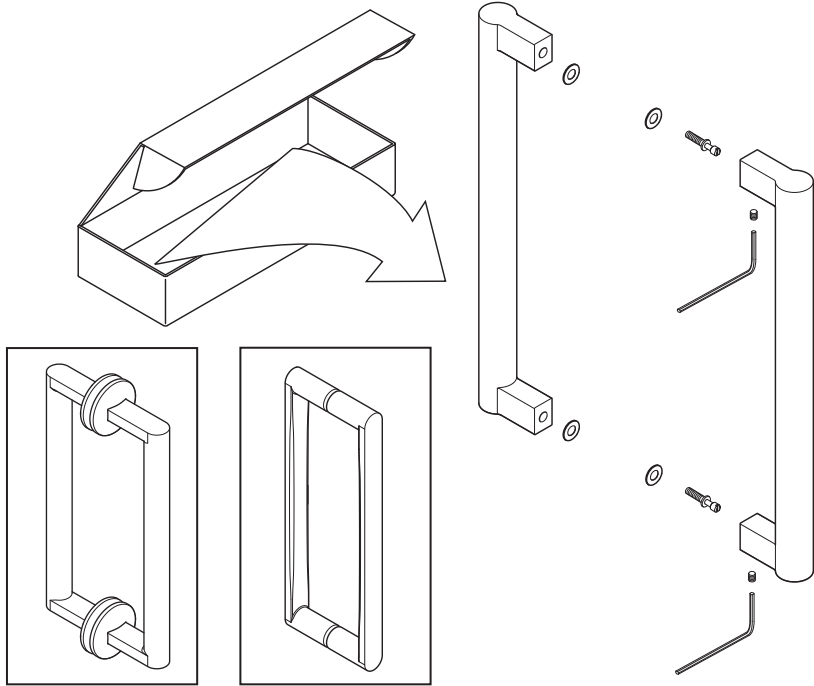
# Recommended Usage



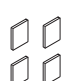
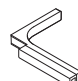











Domestic	✓
Light Commercial	✓
Heavy Commercial	✗
Healthcare	✗

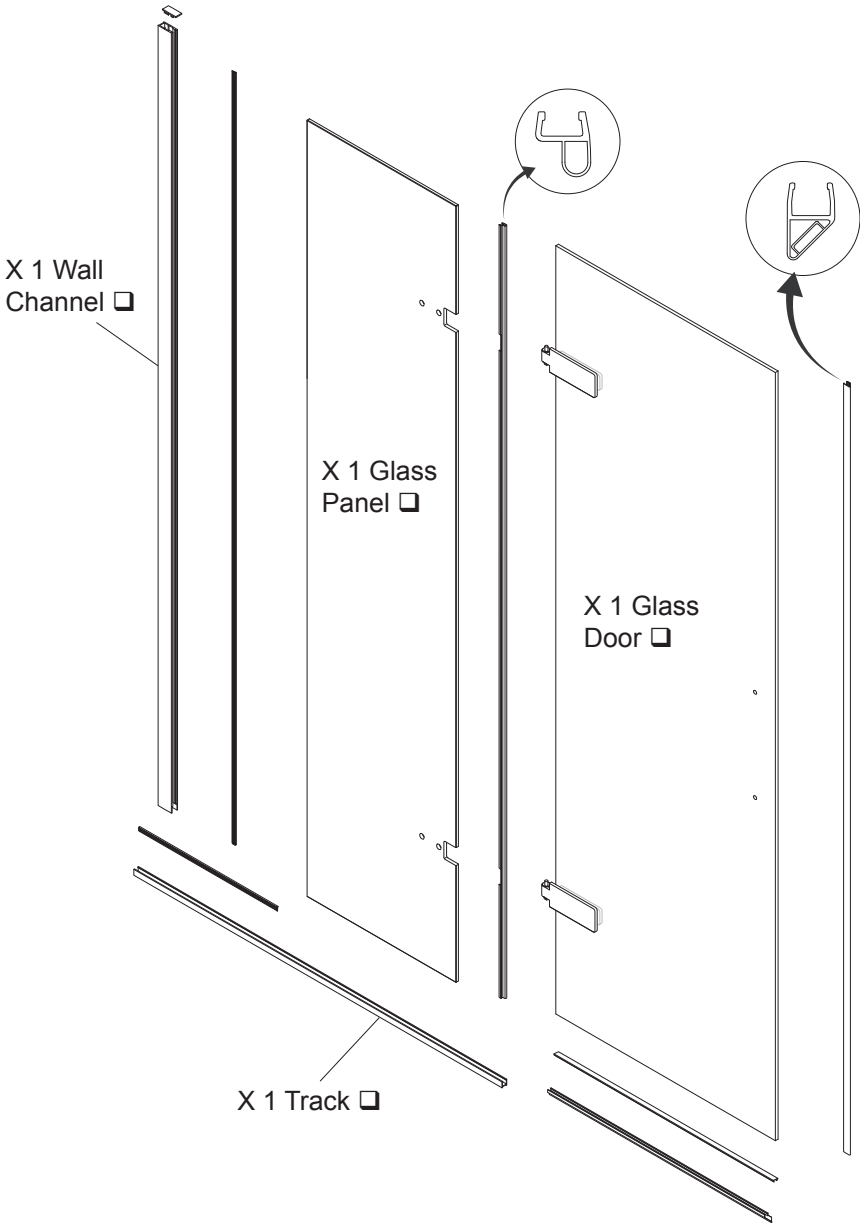
# Tools Required

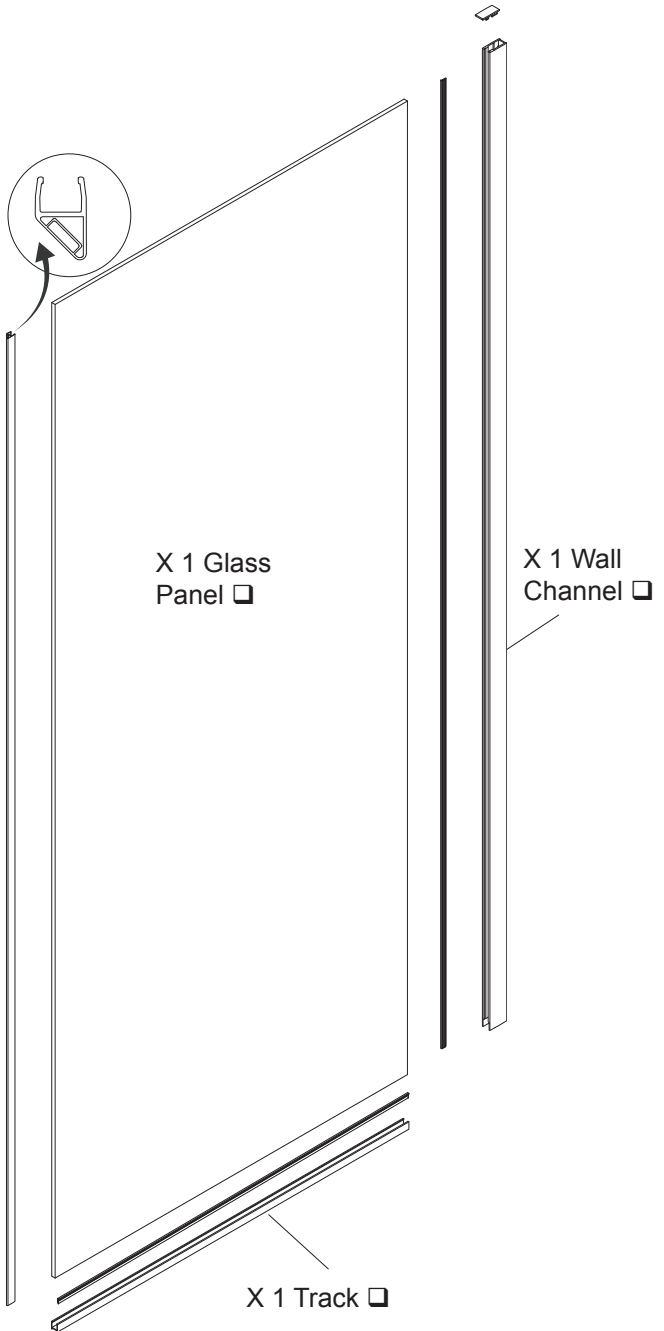
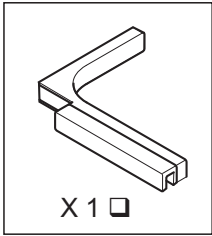


# Pack Contents



				
X 12 □	X 12 □	X 4 □	X 1 □	X 4 □
				
X 1 □	X 1 □	X 2 □	X 2 □	3.0 mm X 1 □
				
X 1 □	X 2 □	X 2 □	X 4 □	4.0 mm X 1 □







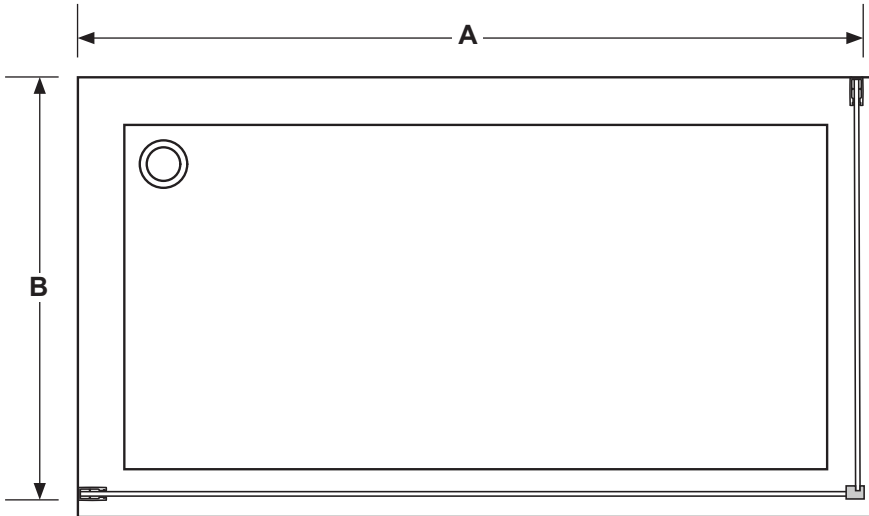
# Adjustment Dimensions

Enclosure Width (A)			
Enclosure Width	Min	Max	Adjustment
800	760	780	20
900	860	880	20
1000	960	980	20
1200	1160	1180	20
1400	1360	1380	20

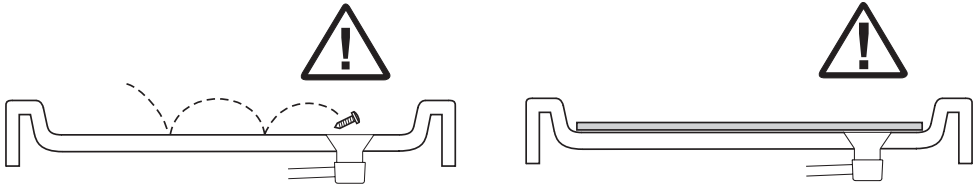
Side Panel Depth (B)			
S. P. Depth	Min	Max	Adjustment
760	720	740	20
800	760	780	20
900	860	880	20

\*Dimensions are in mm.

Measurements A and B are taken from tiled wall to outside of wall channels. Mark on tray with pencil line.

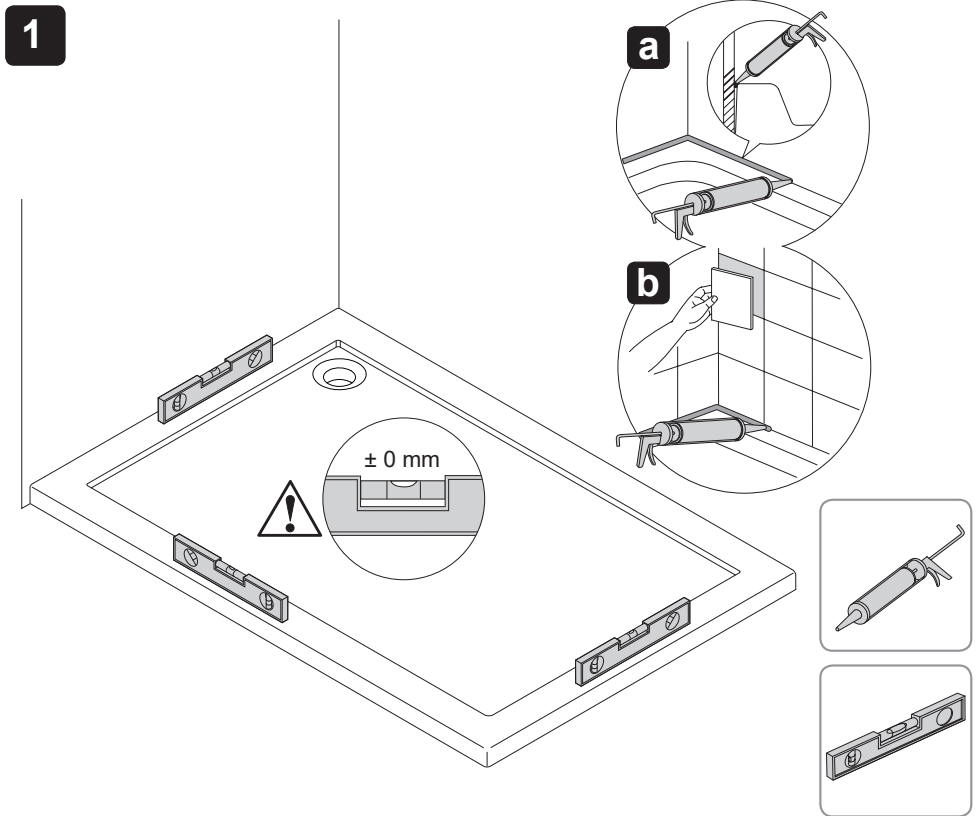


# Installation



**Note!** Cover the tray waste to prevent the loss of small parts.

**Note!** Protect the tray surface during enclosure installation.

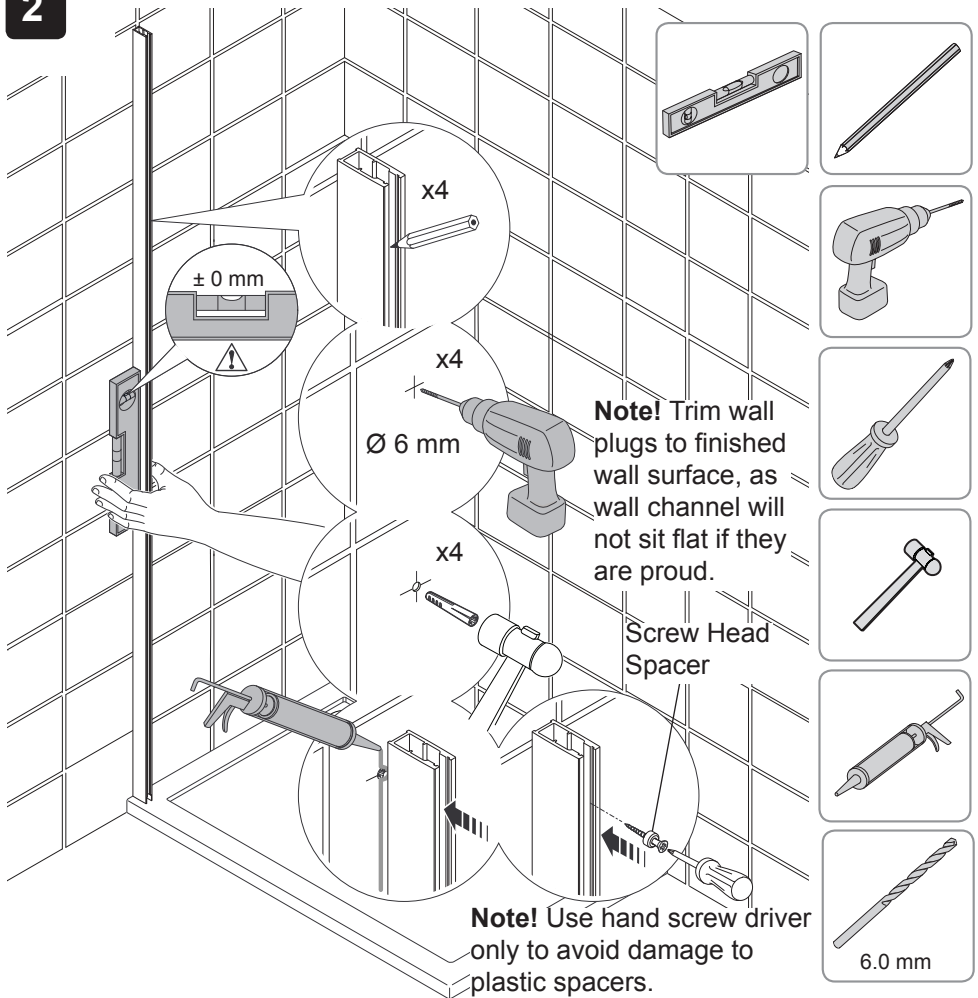


**Note!** Make sure that the walls have been tiled down to the tray. Make sure the Tray is levelled. Make sure the walls are flat and square.

(a) Install the shower tray in accordance with the manufacturer's instructions.

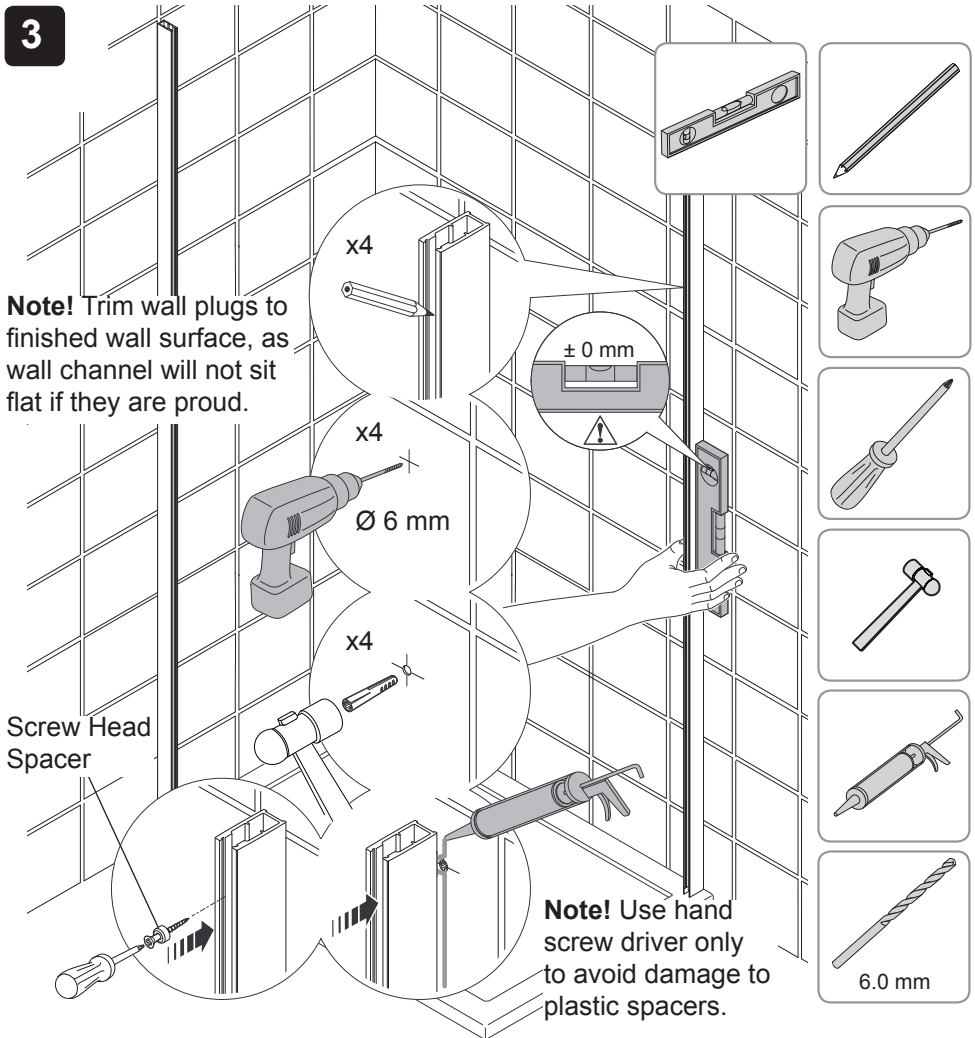
**Caution!** Make sure that the shower tray is level and that the walls are vertical and square.

2



- (a) Position the wall channel on the wall using the dimensions supplied for correct enclosure size. Ensure the cut out is at the bottom. Use a spirit level to make sure that it is upright.
- (b) Mark the position of the fixing holes, then remove the wall channel.
- (c) Drill with a 6 mm masonry bit (not supplied) and plug using the wall plugs (supplied).
- (d) Position the wall channel on the wall and partially install the fixing screws. Ensure screw head spacers are fitted.
- (e) Apply silicone sealant according to the manufacturers instructions along the length of the wall and at the bottom of the wall channel.
- (f) Fully tighten the fixing screws, making sure that the wall channel is upright.

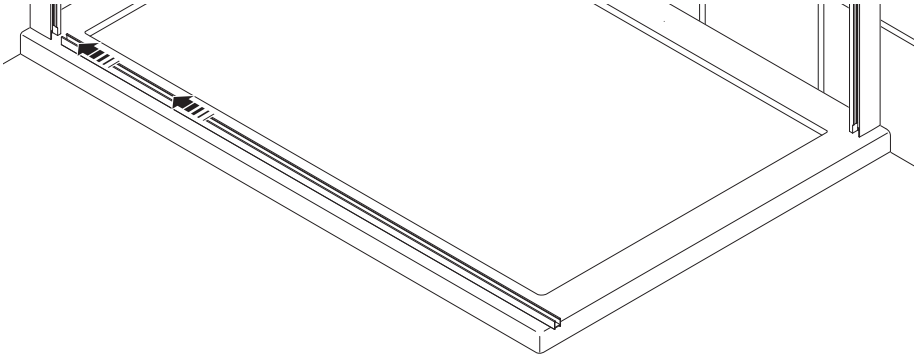
3



- (a) Position the second wall channel on the wall using the dimensions supplied for correct enclosure size. Ensure the cut out is at the bottom. Use a spirit level to make sure that it is upright.
- (b) Mark the position of the fixing holes, then remove the wall channel.
- (c) Drill with a 6 mm masonry bit (not supplied) and plug using the wall plugs (supplied).
- (d) Position the wall channel on the wall and partially install the fixing screws. Ensure screw head spacers are fitted.
- (e) Apply silicone sealant according to the manufacturers instructions along the length of the wall and at the bottom of the wall channel.
- (f) Fully tighten the fixing screws, making sure that the wall channel is upright.

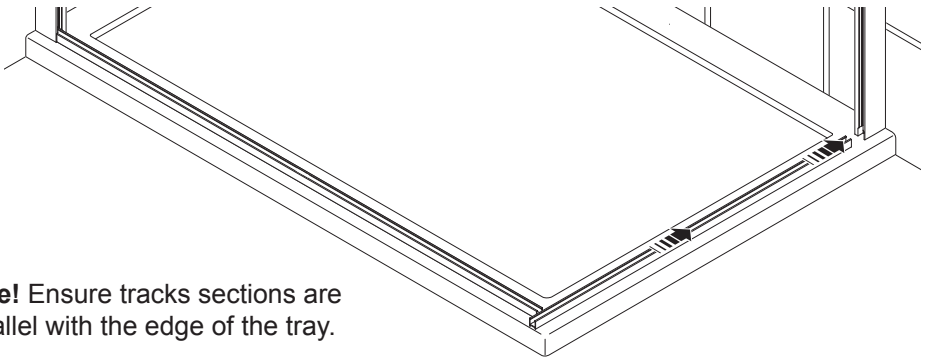
- 4** Position the bottom tracks along the tray, pushing them into the cutouts at the base of the wall channels as illustrated below.

**a**



**Note!** Position the track so that the black gasket is on the fixed panel side for the glass to rest on and that the locating blocks are on the open door side.

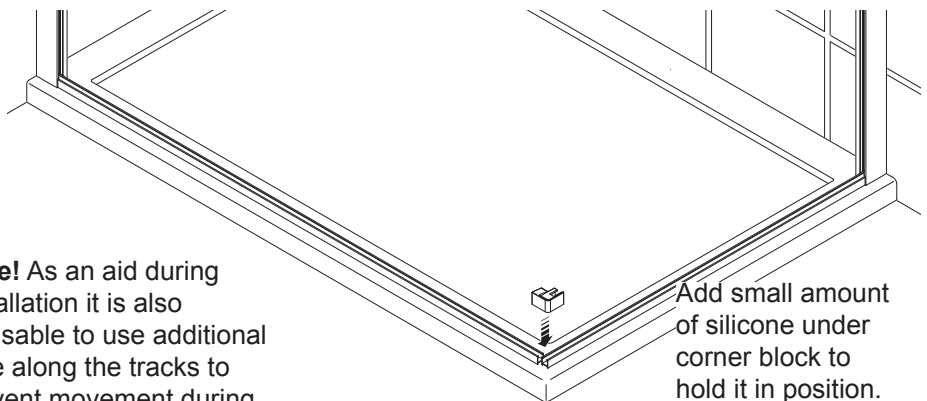
**b**



**Note!** Ensure tracks sections are parallel with the edge of the tray.

**c**

Select the correct handed corner block for your installation.



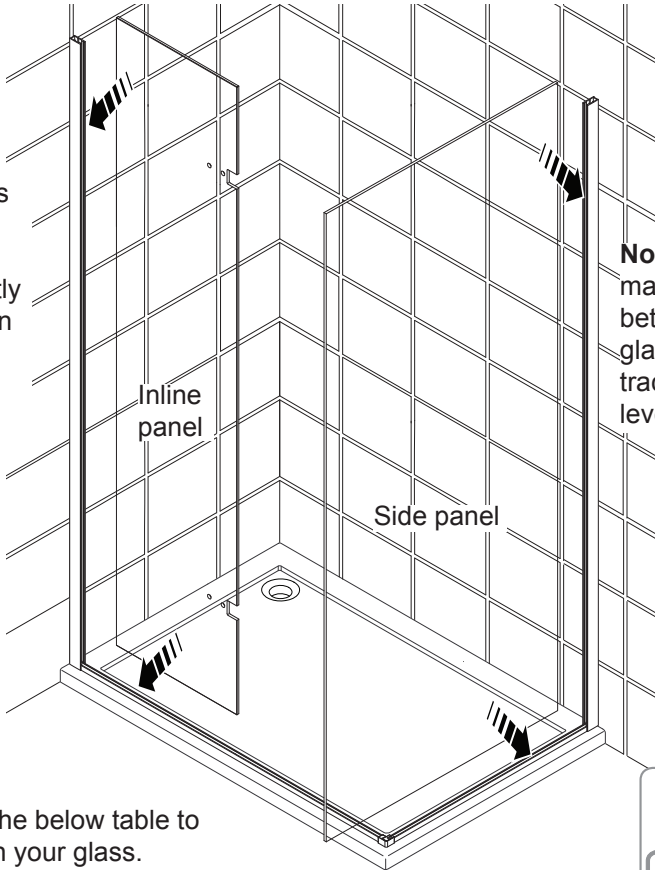
**Note!** As an aid during installation it is also advisable to use additional tape along the tracks to prevent movement during glass panel insertion.

Add small amount of silicone under corner block to hold it in position.

**5** (a) Install the two glass panels into the wall channels and tracks that had been secured earlier.

**Note!** Insert the inline panel noting the correct orientation shown by the label on the glass. This is very important!

**Note!** Always ensure the glass panels are sufficiently located within the wall channels.

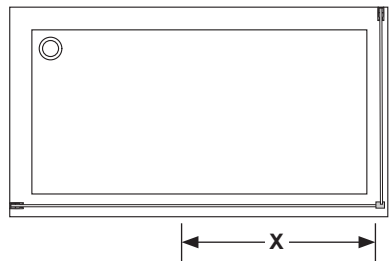


**Note!** Packers may be required between the glass and the track in order to level the panel.

◆ Use the below table to position your glass.

Dimension from edge of inline panel glass to side panel glass (X)		
Enclosure Width	Enclosure Height	(X)
800	2000	507
900	2000	557
1000	2000	657
1200	2000	657
1400	2000	657

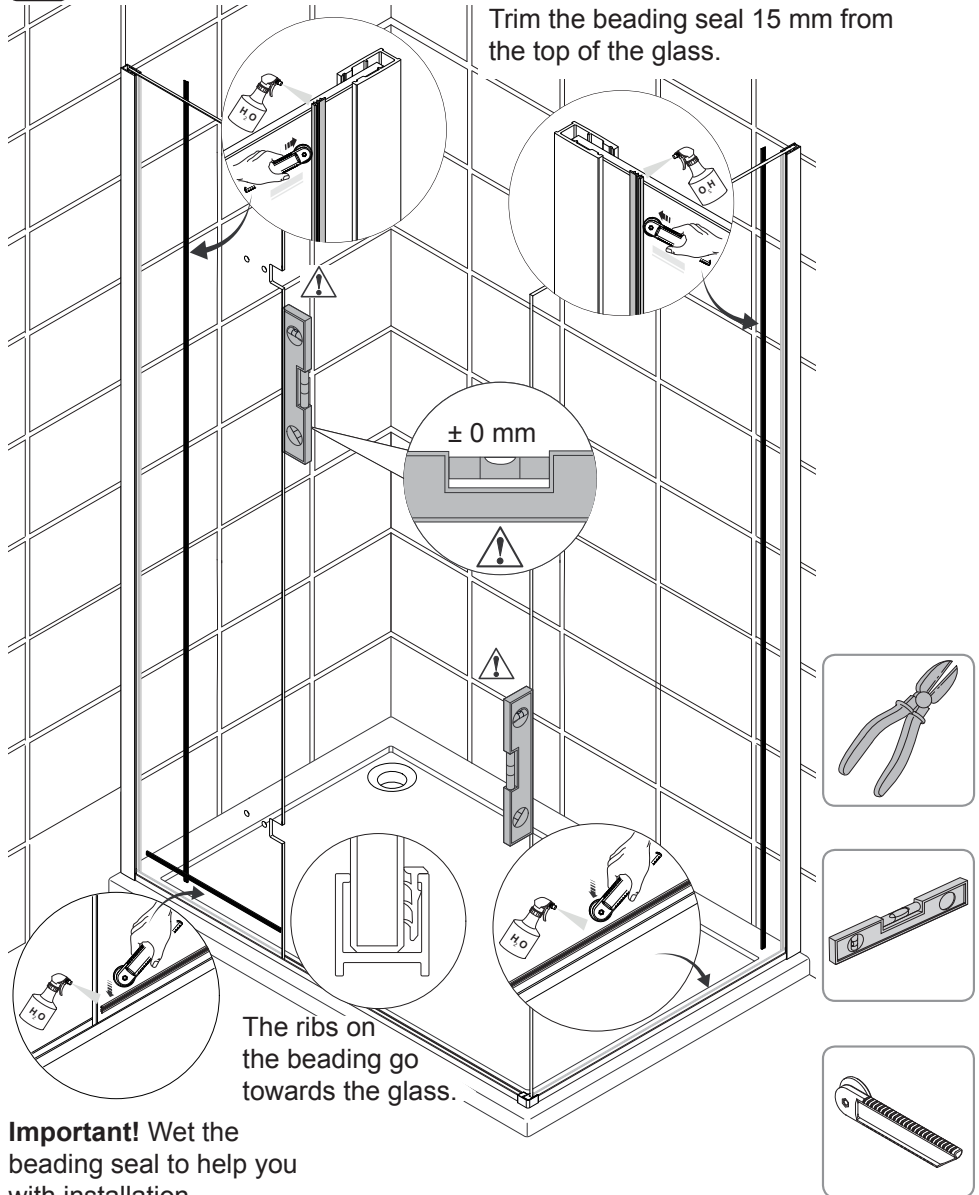
\*Dimensions are in mm.



**Note!** This dimension is very important to ensure the magnetic seals meet.

6

**Note!** Before beading, double check correct inline panel orientation.

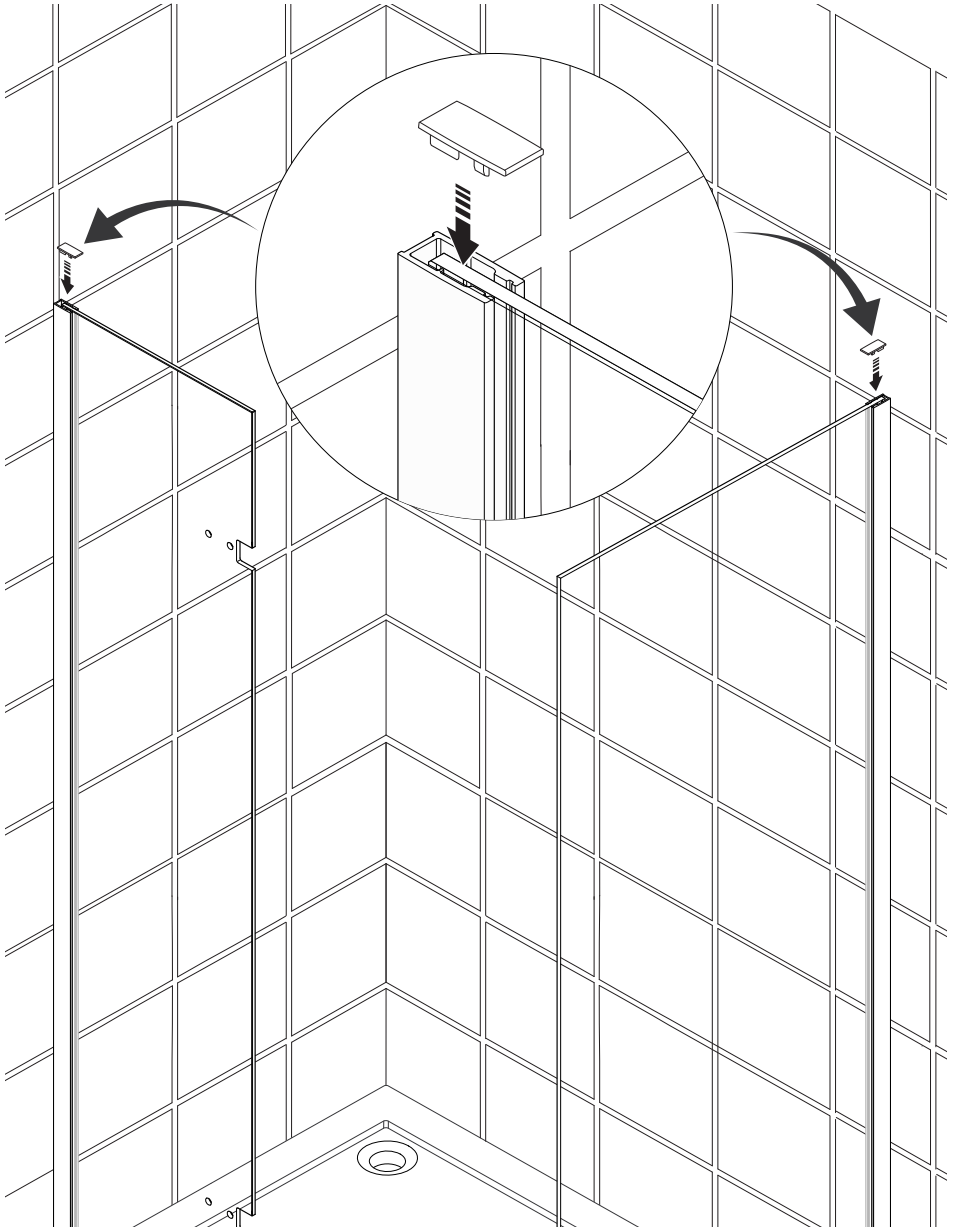


**Important!** Wet the beading seal to help you with installation.

**Note!** Make sure that the glass panels are level.

- (a) Push in the beading seal into the track.
- (b) Starting at the bottom push in the beading seal using the roller provided for both vertical channels.

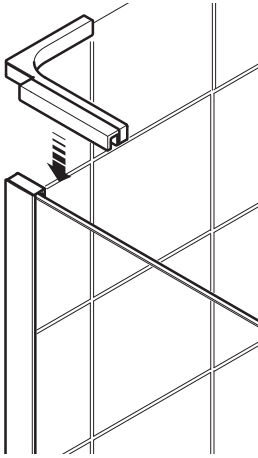
# 7 Top Cap Installation



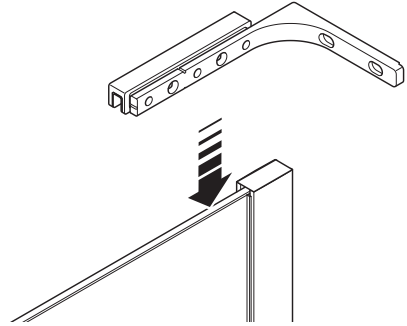


## 8 Corner Bracket Installation

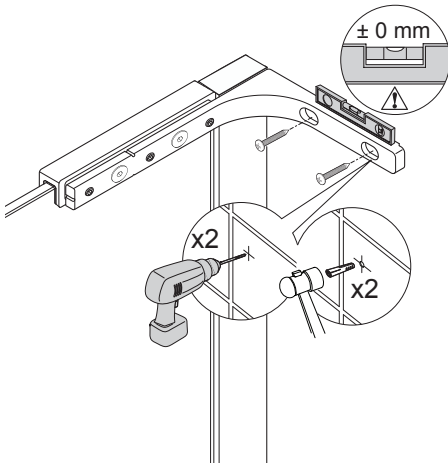
**Note!** Corner Bracket can be used both RH and LH sides. Remove the 2 fixing bolts, Rotate 'L' bracket and re-fit fixing bolts.



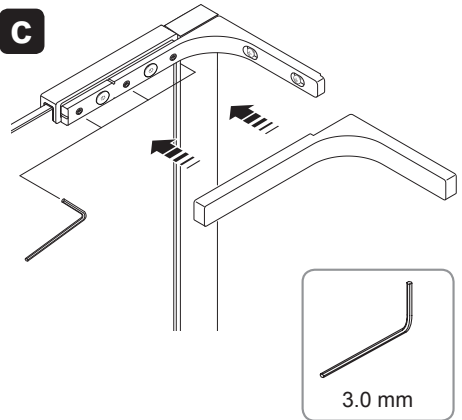
**a**



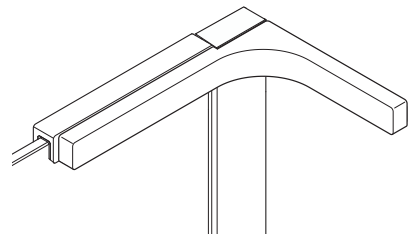
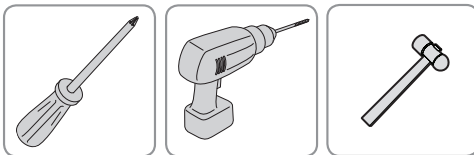
**b**



**c**

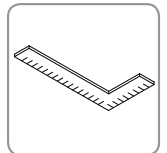
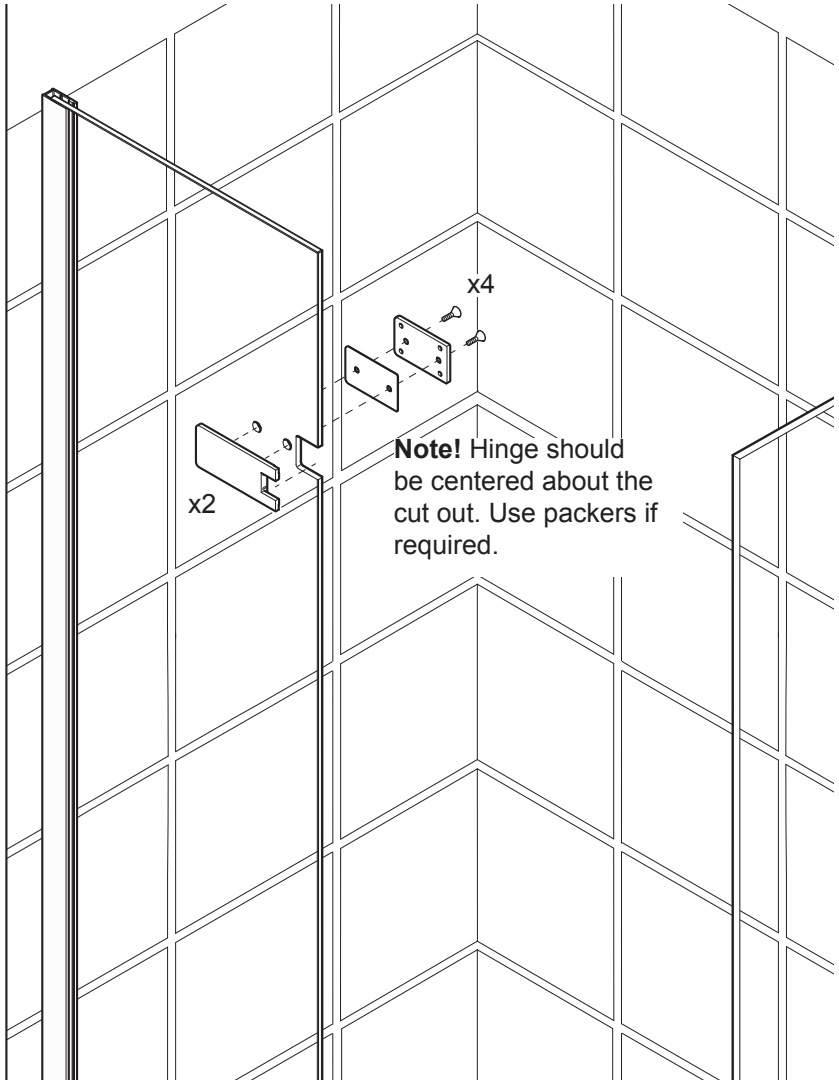


**Note!** Ensure that bracket is not overtightened onto tiles to ensure cover can still slide into notch.

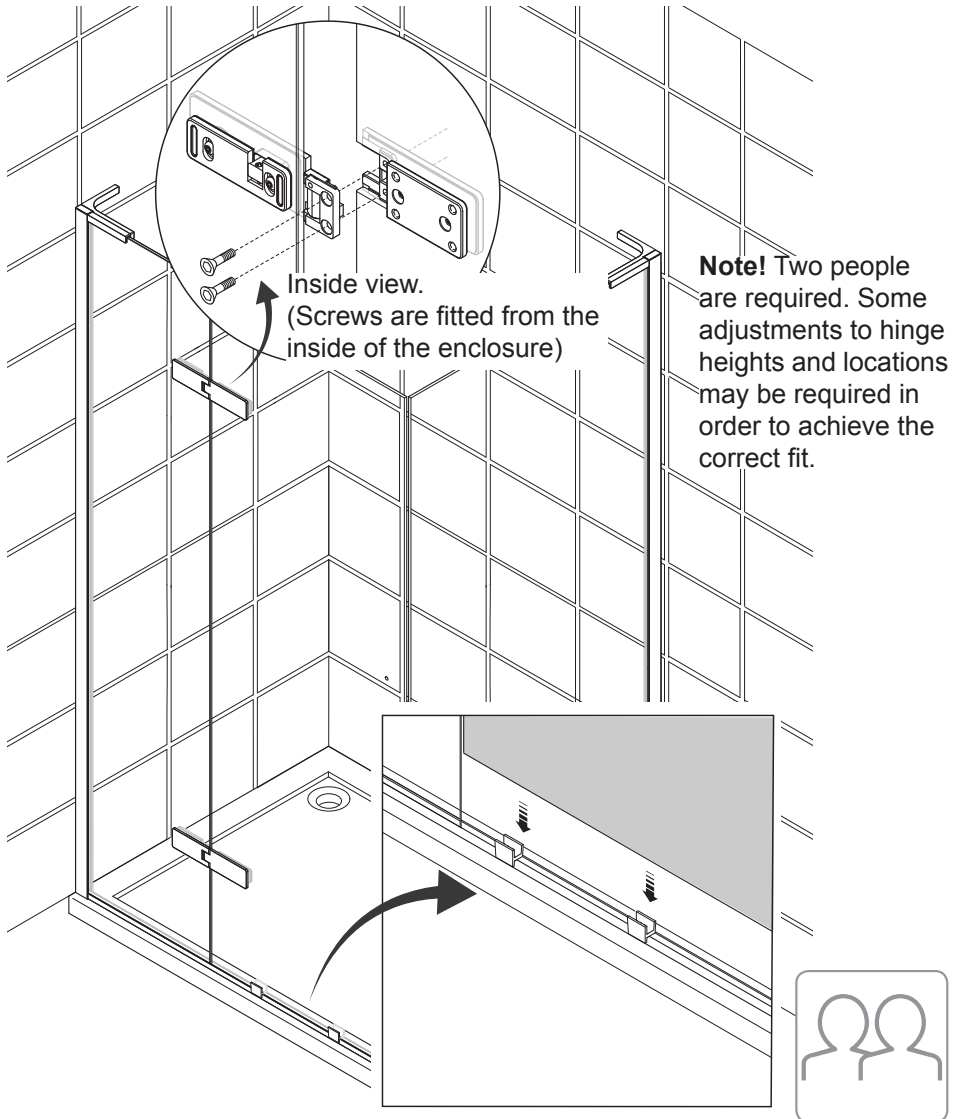


## 9 Hinge Installation

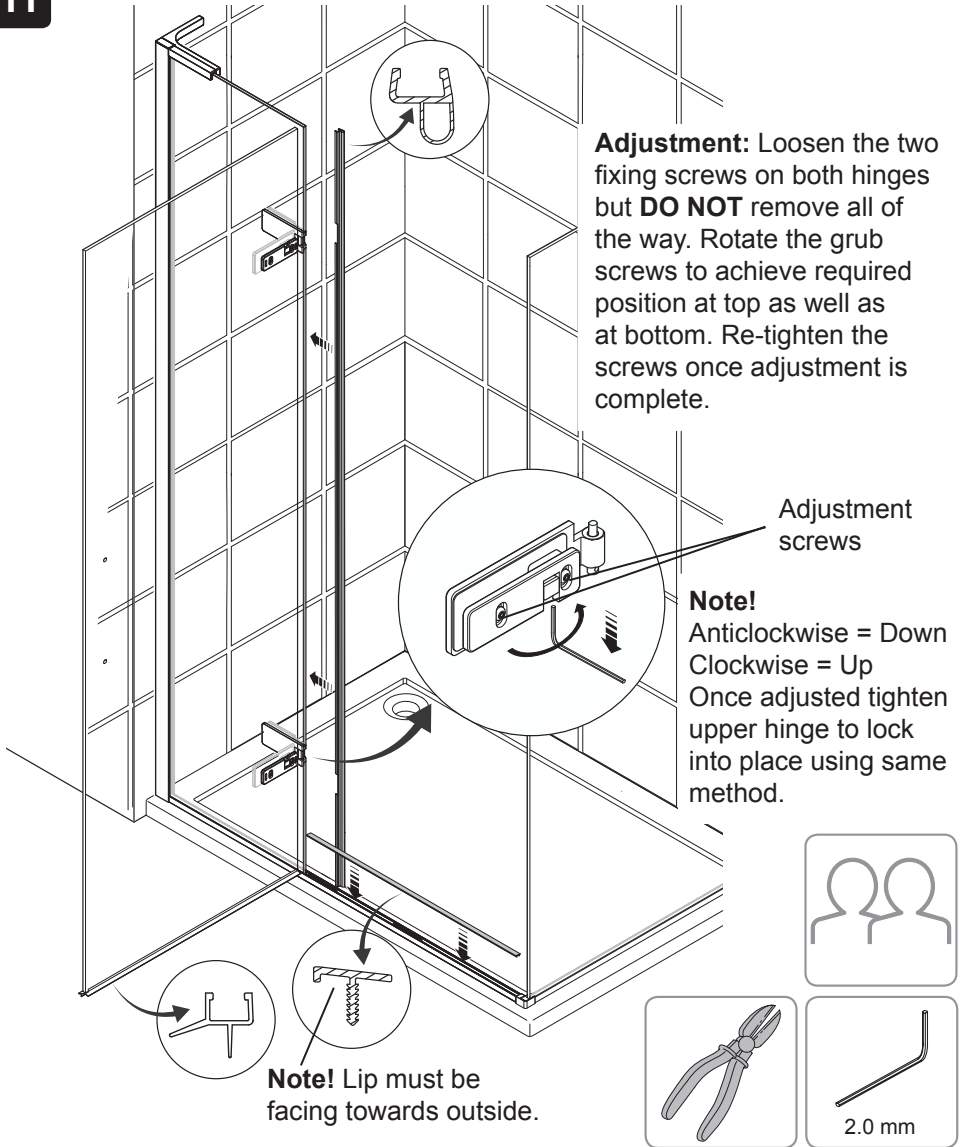
**Note!** Ensure hinge plates are square with glass.



## 10 Mounting the door.

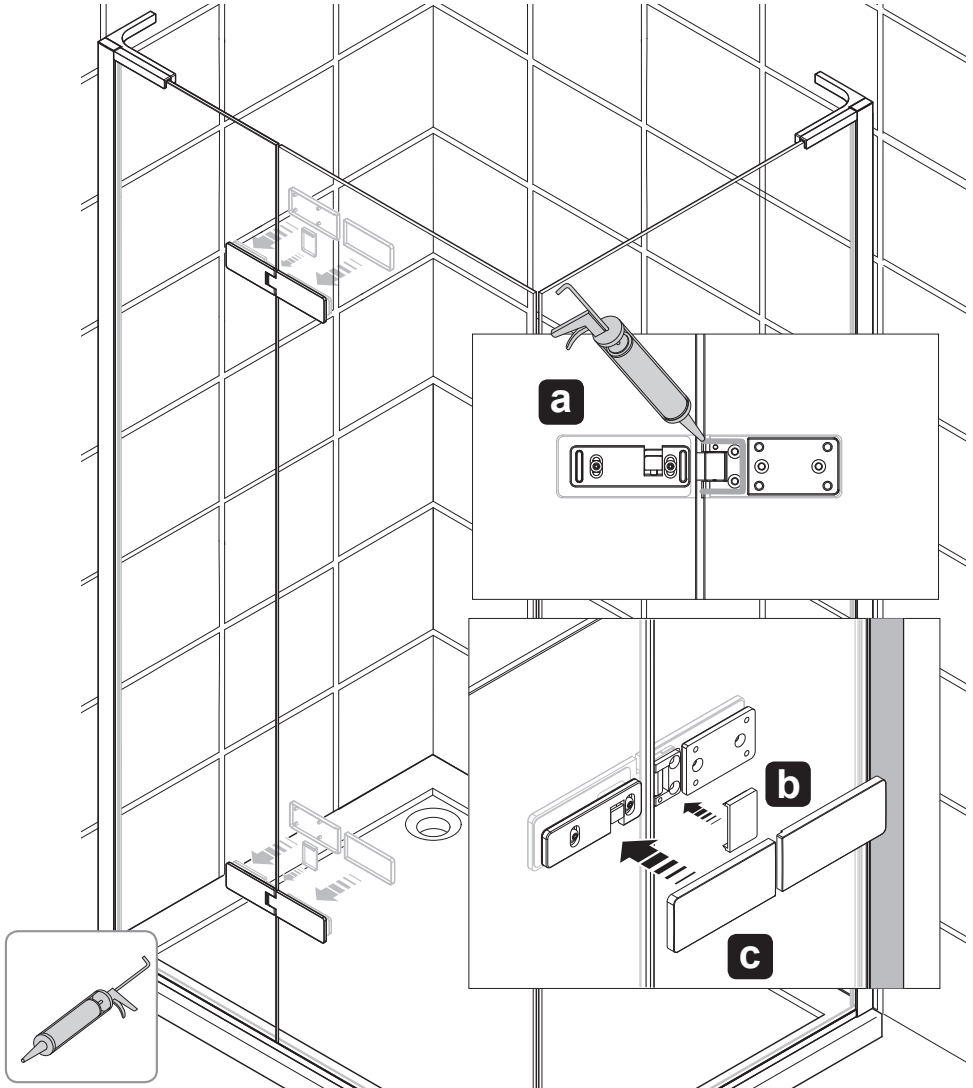


- (a) Place the installation benches over the track. These will provide a guide for the correct mounting height of the door.
- (b) Lift the door onto the installation benches and secure two halves of the hinges together using the fixing screws.



- (a) Remove the installation benches and open the door.
- (b) Fit the door splash guard.
- (c) Push the infill strip into the track.
- (d) Fit the vertical seal onto the fixed inline panel. The top of this seal will need to be trimmed to be flush with the top of the glass.
- (e) Adjust the hinges if required (using the above adjustment method).

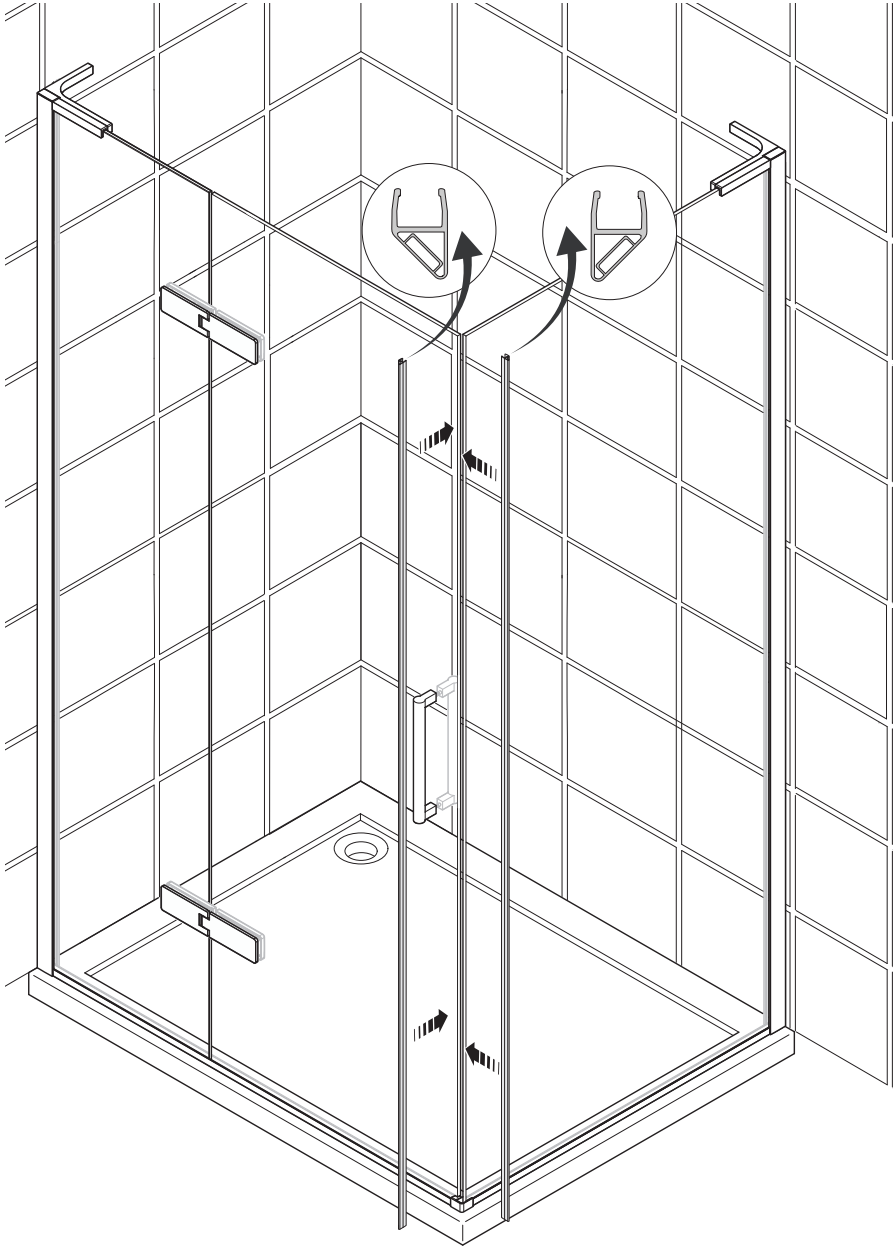
12



- (a) Carefully apply silicone sealant around the glass cutout as illustrated above in order to fill the gap. This is very important to help create a water barrier.
- (b) Push the gasket cover into place, ensuring the ridges push into the recently siliconed recess.
- (c) Fit the covers over the hinges.

**Note!** Put small amount of silicone onto the rear studs of the plates prior to pushing into place. Ensure silicone is applied carefully to avoid leaking.

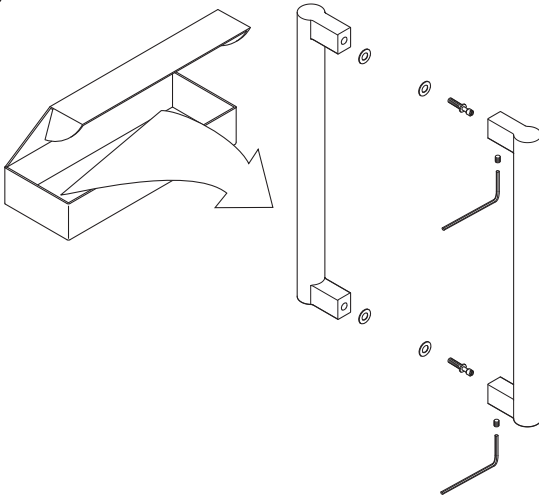
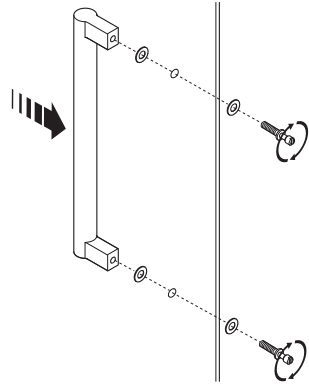
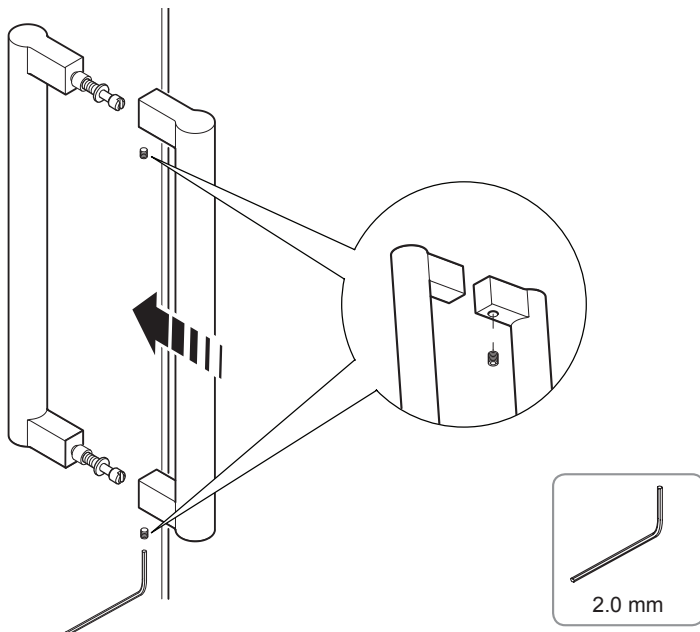
13



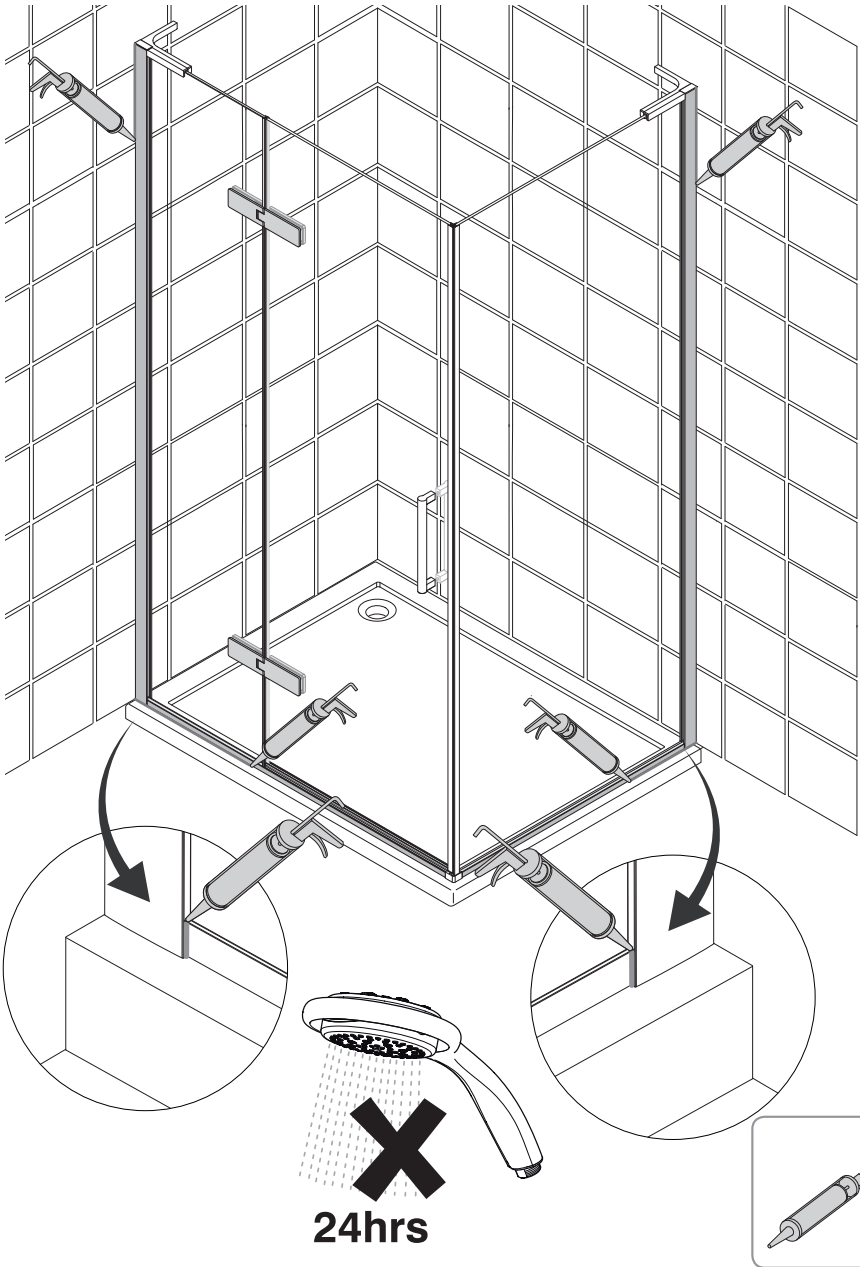
(a) Push the vertical closing seals onto the side panel and door.

# 14 Handle Installation

Note! Handle installations are same for all the handle options.

**a****b****c**

15



- (a) Apply sealant in accordance with the sealant manufacturers instructions along the outside surfaces of the door frame only.
- (b) Allow the silicone sealant to cure for 24 hours before use.



# Maintenance

---

## General Maintenance

Providing the shower enclosure has been correctly installed and is operated in accordance with the instructions contained in this guide, difficulties should not arise. If any maintenance is required then it must be carried out by a competent tradesperson to whom the maintenance instructions are provided.

Before replacing any parts ensure the underlying cause of the malfunction has been resolved.

## Cleaning

Warning! The use of grout/tile cleaners, scale removers, abrasive scourers, drain unblockers and other powerful detergents may lead to damage of metallic, plated and plastic surfaces, including the tray and shower waste.

Avoid the use of 'spray and leave' cleaners. Any cleaner used should have a pH level between 4 and 8 and immediately wiped dry using a soft cloth.

## Care

To preserve the beauty of your shower enclosure for many years, please observe the following care instructions:

Rinse glass and frame with clear water after showering. Remove water droplets with a squeegee. **Do not rub dry!** To clean your shower hygienically and easily, we recommend the use of a biodegradable cleanser.

Regular cleansing with a biodegradable cleanser prevents stubborn stains and ensures a clean and hygienic surface for many years. Do not use scouring or caustic cleansers under any circumstances! These can damage the surface of the frame, glass and decorative parts as well as the plastic parts.

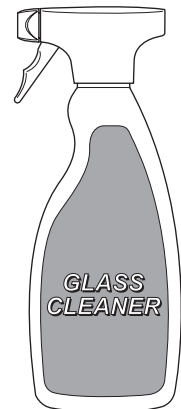
## Chrome Parts

Use only cleansers expressly specified for chrome!

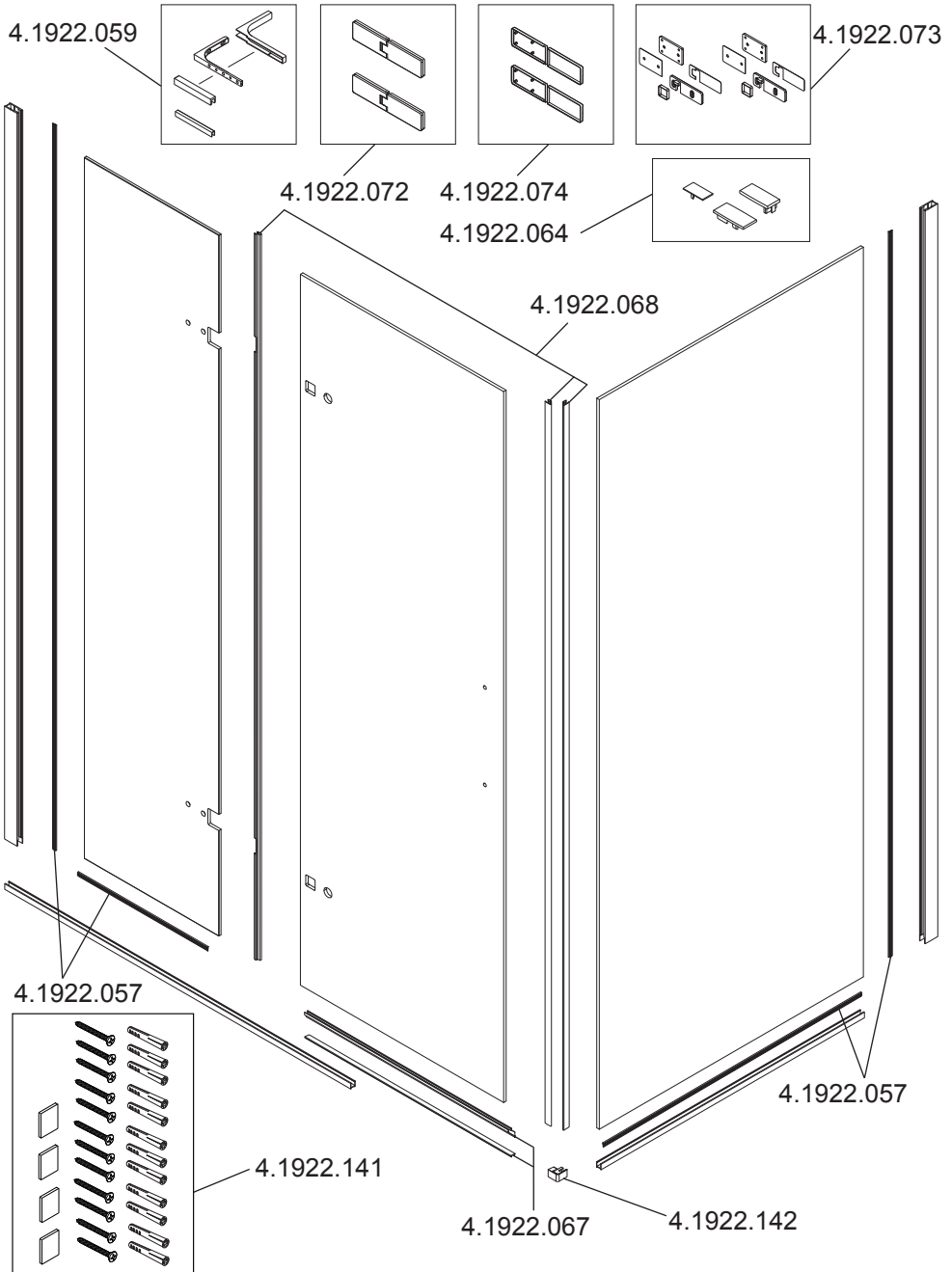
## KOHLER Glass Cleaner

For occasional cleaning of glass treated with KOHLER Glass Protector or for more regular maintenance of untreated surfaces, we recommend using KOHLER Glass Cleaner.

The cleaner cleans and polishes without smearing or streaking and rejuvenates the Glass Protector.



# Spare Parts



# Declaration of Performance

## KOHLER.

### DECLARATION OF PERFORMANCE

Kohler Mira Ltd.  
Cromwell Road  
Cheltenham  
Gloucestershire  
GL52 5EP  
United Kingdom  
Tel: 0844 571 1155  
Fax: 0844 581 1100  
[www.kohlermira.co.uk](http://www.kohlermira.co.uk)

**Brand name:** Kohler Mira

**Product name:** Ascend & Composed Shower Enclosures (all sizes)

**Product Range:** Hinged Alcove Door  
Hinged Enclosure  
Sliding Alcove Door  
Sliding Door Enclosure  
Side Panel  
Wet Room Side Panel  
Wet Room Panel  
Wet Room Hinged Return Panel  
Bath Screen (In-line Panel with Hinged Door)

**Product type:** Domestic Shower Enclosure

**Manufacturer:** Kohler Mira Ltd  
Cromwell Road, Cheltenham  
Gloucestershire GL52 5EP  
United Kingdom

**Directives:** EU 305/2011 Construction Products Regulations

**System of assessment:** System 4  
Type testing / Factory production Control

**Standards:** EN 14428:2015.  
Shower enclosures – Functional requirements and test methods.

Essential Characteristics	Performance	Harmonised technical specification
IR-CA-DA	Compliant	EN 14428:2015

The performance of the products described above, are in conformity with the relevant community harmonisation legislation.

This declaration of performance is issued under the sole responsibility of Kohler Mira Ltd.

# CE 18

Signed for and on behalf of Kohler Mira Ltd.

**Signature:** 

**Name:** Jon Ramsdale  
**Place:** Cheltenham, UK  
**Doc. No.:** CE 0120

**Position:** NPD Director  
**Date:** 1<sup>st</sup> March 2018  
**Issue:** 1



## **Check out our full range of Shower Enclosures**

Quadrant Shower Enclosures

Corner Entry Shower Enclosures

Walk in Shower Enclosures

Sliding Shower Doors

Bifold Shower Doors

Pivot Shower Doors

Hinged Shower Doors

Shower Screens

## **From Top Brands**

Coram Shower Enclosures

Mira Shower Enclosures

Hydrolux Shower Enclosures

Diamond Shower Enclosures

## **With quality shower trays to match your enclosure**

Square Shower Trays

Rectangular Shower Trays

Quadrant Shower Trays

Coram Shower Trays

Mira Flight Shower Trays

**plumbworld**  
**Big brands, small prices.**

## **Check out our full range of Shower Enclosures**

Quadrant Shower Enclosures

Corner Entry Shower Enclosures

Walk in Shower Enclosures

Sliding Shower Doors

Bifold Shower Doors

Pivot Shower Doors

Hinged Shower Doors

Shower Screens

## **From Top Brands**

Coram Shower Enclosures

Mira Shower Enclosures

Hydrolux Shower Enclosures

Diamond Shower Enclosures

## **With quality shower trays to match your enclosure**

Square Shower Trays

Rectangular Shower Trays

Quadrant Shower Trays

Coram Shower Trays

Mira Flight Shower Trays

**plumbworld**  
**Big brands, small prices.**