

# DRAIN AND SEWAGE LIFTING UNITS

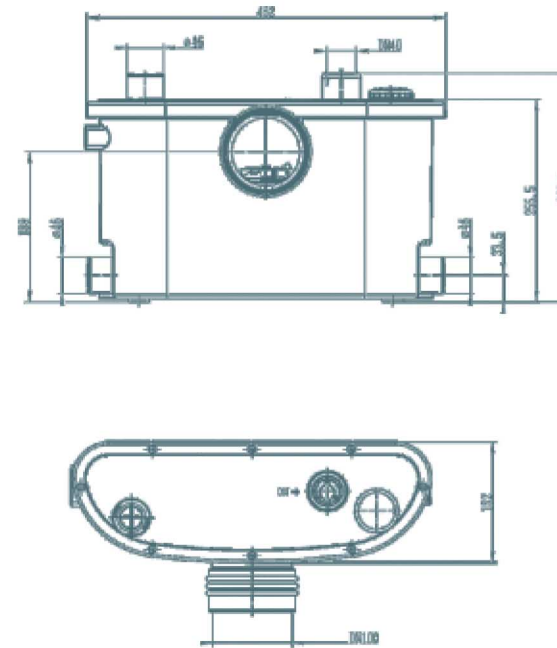


## MP400-I PRODUCT PICTURE

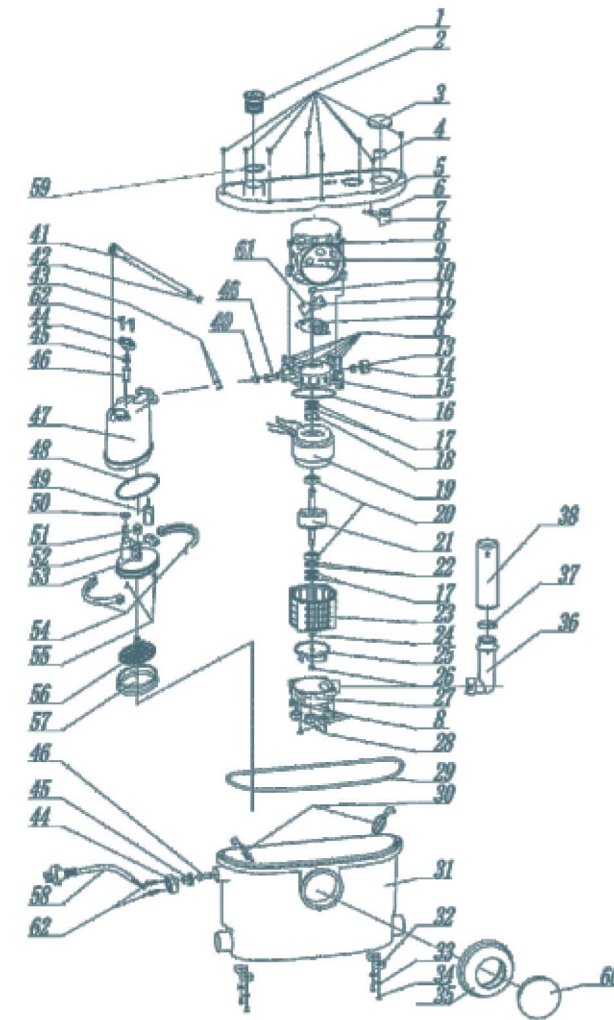


115V~60Hz  
 230V~50Hz  
 CE  
 TÜV Rheinland Product Safety  
 GS  
 TÜV Rheinland Product Safety  
 EMC  
 Product Ion Inspected  
**IPX4**

# EXPLOSION DIAGRAM



# PRODUCT PICTURE



# PRODUCT PATAMETERS

## MP400-I



- 400w
- 60m
- 22-32mm
- H05VV-F 3G  
0.75mm<sup>2</sup>×1.2m
- 6m
- 40℃
- 720pcs  
/20'ctn
- 5.6/6.6kg
- 100l/min
- WC+3
- 52×22×35cm