

monsoon

Standard Single Pumps

Standard Single pumps are ideal for boosting a water supply in vented systems. Suitable for positive head applications only.

Suitable for domestic use, Monsoon Standard pumps will function under positive head conditions and are suitable for installation into open vented hot and cold water systems.

Monsoon Standard pumps require a flow of just 0.6 l/min through the outlet to start.

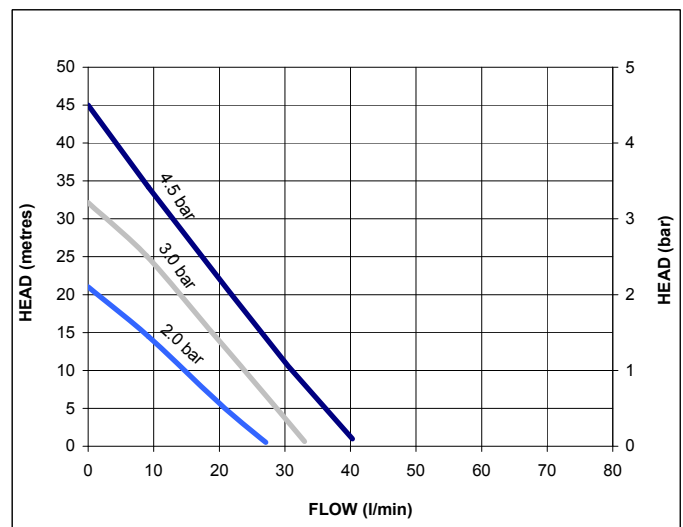


Features

- Robust brass construction
- 2.0 - 4.5 bar performance options
- Continuously rated
- EPDM/PTFE/Al. Oxide seal
- G $\frac{3}{4}$ threaded connections
- Pre-wired with 1.5 metre power cable
- Anti-vibration feet
- 5 year guarantee (subject to conditions)
- **UK Specification:** Supplied with 22 mm push-in x 300 mm anti-vibration flexible hoses with integral isolating valves
- **ROI Specification:** Supplied with 21 mm push-in x 300 mm anti-vibration flexible hoses with integral isolating valves
- **Export Specification:** Supplied with G $\frac{3}{4}$ female x 300 mm long hoses

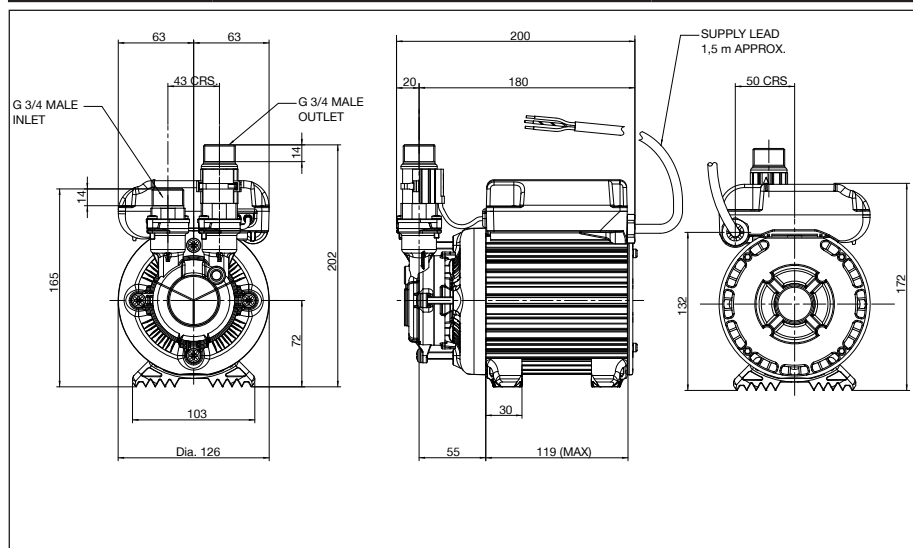
Application

- Boost the water pressure in either the hot or cold water supply in a positive head application.
- Boost the blended water outlet between the shower valve and the shower rose.



monsoon

Pump Model		S2.0 bar Single 46497	S3.0 bar Single 46419	S4.5 bar Single 46420
General	Guarantee	5 years		
	WRAS approval	1404702		
Features	Pump type	Peripheral		
	Mechanical seal	EPDM / PTFE / Al. Oxide		
	Anti-vibration feet	✓	✓	✓
	Inlet strainer(s)	✓	✓	✓
	Flexible hoses	2	2	2
Materials	Dry run protection	✓	✓	✓
	Pump body	Brass		
	Impeller	Brass		
Performance	Maximum head (closed valve)	2.0 bar	3.0 bar	4.5 bar
	Performance @ 9 l/min	1.5 bar	2.5 bar	3.5 bar
	Performance @ 18 l/min	0.7 bar	1.6 bar	2.4 bar
	Maximum flow	27 l/min	33 l/min	40 l/min
	Maximum static inlet pressure	14 metres		
	Maximum working pressure*	600 kPa (6 bar)		
	Maximum ambient air temperature	40 °C		
	Min / Max water temperature**	Min 4 °C / Max 65 °C		
	Flow switch sensitivity (approx)	0.6 l/min		
Connections	Pump connections	G 3/4 male		
Flexible hoses	Connections (UK model)	G 3/4 female x 22 mm push-in x 300 mm long, isolating valves on all hoses		
	Connections (ROI model)	G 3/4 female x 21 mm push-in x 300 mm long, isolating valves on all hoses		
	Connections (Export model)	G 3/4 female x G 3/4 female x 300 mm long		
Motor	Type	Induction, auto-reset thermal trip		
	Duty rating	Continuous (S1) @ 9 l/min and above		
Electrical	Power supply / phase / frequency	230 V a.c. / 1 / 50 Hz		
	Current (full load)	1.1 Amps	1.7 Amps	2.4 Amps
	Power consumption	245 Watts	385 Watts	555 Watts
	Fuse rating	5 Amps		
	Power cable (pre-wired)	1.5 metres		
Physical	Enclosure protection	IPX4		
	Length	200 mm		
	Width	126 mm		
	Height (excluding hoses)	202 mm		
	Weight (including fittings)	5.4 Kg		6.0 Kg



* The maximum pressure that can be applied to the pump under any installation conditions.

** A stored water temperature of 60 °C is considered sufficient to meet all normal requirements and will minimise deposition of scale in hard water areas.

Stuart Turner Limited reserves the right to amend specifications without notice.